



FEATURES

- 14-PIN PACKAGE.
- 10 TTL FAN-OUT CAPACITY.
- TTL SCHOTTKY INTERFACED.
- OUTPUT FREQUENCY TOLERANCE:±2%.
- OUTPUT DUTY CYCLE:50%±5%

ELECTRICAL CHARACTERISTICS

I _{IH} Logic"1" Input Current	:50uA max
I _{IL} Logic"0" Input Current	:-2mA max
V _{OH} Logic"1" Output Voltage	:2.7V min
V _{OL} Logic"0" Output Voltage	:0.5V max
V _{IH} Logic"1" Input Voltage	:2.0V min
V _{IL} Logic"0" Input Voltage	:0.8V max
T _A Operating Temperature	:0°C to 70°C
N _H Fanout"1" Output	:20 TTL Load
N _L Fanout"0" Output	:10 TTL Load
Supply Current	:75mA Typ.



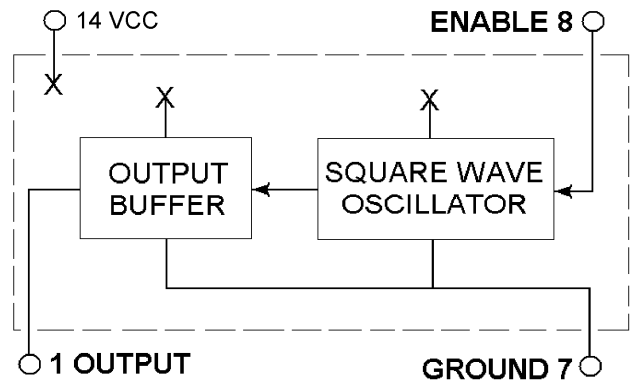
INPUT PULSE TEST CONDITION

Pulse Voltage	:3.2V
Pulse Width	:50nS min. or 100%T _d
Duty Cycle	:<50%
Pulse Rise Time	:2nS(0.75 to 2.4V)
Time Delay Measured	:@1.5V level
Supply Voltage V _{cc}	:5.0±0.25Vdc

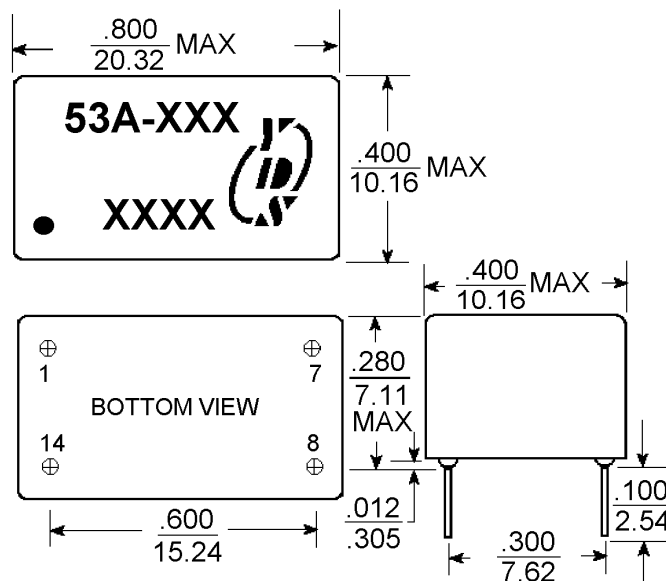
ELECTRICAL SPECIFICATIONS

PART NO.	OUTPUT FREQUENCY	PART NO.	OUTPUT FREQUENCY
53A-002	2MHz	53A-035	35MHz
53A-003	3MHz	53A-040	40MHz
53A-004	4MHz	53A-045	45MHz
53A-005	5MHz	53A-050	50MHz
53A-010	10MHz	53A-060	60MHz
53A-015	15MHz	53A-070	70MHz
53A-020	20MHz	53A-080	80MHz
53A-025	25MHz	53A-090	90MHz
53A-030	30MHz	53A-100	100MHz

PIN CONNECTIONS



MARKINGS AND DIMENSIONS



Dimensions:inches/mm
 Unless otherwise specified,
 all tolerances are ±.010/±0.25