

### FEATURES

- Small surface mount package.
- Dual SMT package contains both transmit and receive transformers .
- Models matched to transceiver ICs.
- Isolation voltage: 1500 Vrms.
- Recognized by UL 1950.

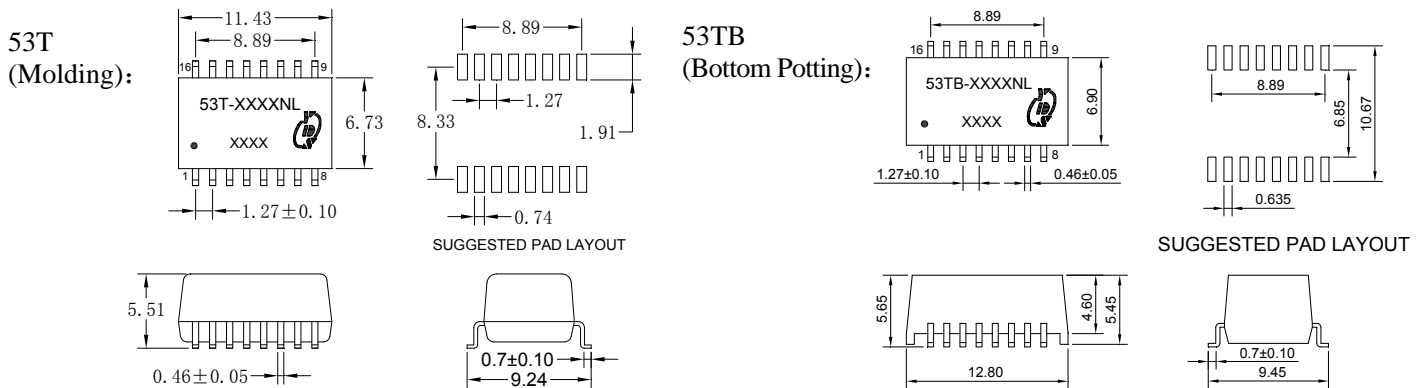


### ELECTRICAL SPECIFICATIONS @25°C 0°C to 70°C

PART NUMBER		TURNS RATIO (Pri:Sec±5%)	OCL (mH MIN)	C <sub>ww</sub> (pFMAX)	LL (μHMAX)	DCR PRI (ΩMAX)	DCR SEC (ΩMAX)	SCHEMATIC	PRIMARY PINS
STD Temp.	Ext Temp.								
53T(B)-1221A	53T(B)-1221AC	1CT:2CT&1CT:2CT	1.20&1.20	30&30	.60 & .60	0.70&0.70	1.40&1.40	A	16-14,6-8
53T(B)-1222B	53T(B)-1222BC	1CT:2CT&1:1.36CT	1.20&1.20	30&30	.60 & .60	0.70&0.70	1.00&0.80	B	16-14,6-8
53T(B)-1223C	53T(B)-1223CC	1:1.15CT&1CT:2CT	1.20&1.20	30&30	.60 & .60	0.70&0.70	0.70&1.00	C	16-14,6-8
53T(B)-1224C	53T(B)-1224CC	1:1/1.26&1CT:2CT	1.20&1.20	30&30	.60 & .60	0.70&0.70	0.80&1.00	C	16-14,6-8
53T(B)-1225A	53T(B)-1225AC	1CT:1.15CT&1CT:1.15CT	1.20&1.20	30&30	.60 & .60	0.70&0.70	0.75&0.75	A	1-3,6-8
53T(B)-1223A	53T(B)-1223AC	1CT:1CT&1CT:1.15CT	1.20&1.20	30&30	.60 & .60	0.70&0.70	0.70&1.00	A	16-14,6-8
53T(B)-1226A	53T(B)-1226AC	1CT:1CT&1CT:2CT	1.20&1.20	30&30	.60 & .60	0.70&0.70	0.70&1.00	A	16-14,6-8
53T(B)-1027A	53T(B)-1027AC	1CT:1.41CT&1CT:1.41CT	1.00&1.00	30&30	.60 & .60	0.70&0.70	0.90&0.90	A	16-14,11-9
53T(B)-1028A	53T(B)-1028AC	1CT:1.41CT&1CT:1.41CT	1.00&1.00	30&30	.60 & .60	0.70&0.70	0.90&0.90	A	1-3,11-9
53T(B)-1024A	53T(B)-1024AC	1CT:1CT&1CT:2.4CT	1.00&1.00	30&30	.80 & .80	0.85&0.85	0.85&1.50	A	9-11,1-3
53T(B)-1022A	53T(B)-1022AC	1CT:1CT&1CT:1.67CT	1.00&1.00	25&25	.80 & .80	0.80&0.80	0.80&0.80	A	6-8,14-16
53T(B)-1229A	53T(B)-1229AC	1CT:2.42CT&1CT:2.42CT	1.20&1.20	25&25	.60 & .60	0.70&0.70	1.20&1.20	A	1-3,6-8
53T(B)-122AA	—	1CT:1CT&1CT:1.36CT	1.20&1.20	30&30	.60 & .60	0.70&0.70	0.70&1.00	A	6-8,1-3
53T(B)-152BA	—	1CT:1.5CT&1CT:1.5CT	1.50&1.50	40&40	.80 & .80	0.70&0.70	—	A	1-3,6-8
53T(B)-122CA	—	1CT:2CT&1CT:2.3CT	1.20&1.20	30&30	.80 & .80	0.90&0.90	—	A	6-8,14-16
53T(B)-15210A	—	2CT:1/1.26&2CT:1/1.26	1.50&1.50	40&40	.50 & .50	0.70&0.70	—	A	1-3,11-9
53T(B)-1521T	—	2CS:1.57/2&2CS:1.57/2	1.50&1.50	40&40	.50 & .50	0.70&0.70	—	T	1-2,5-6
53T(B)-122FA	—	1CT:1CT&1CT:1.36CT	1.20&1.20	30&30	.60 & .60	0.70&0.70	—	A	16-14,6-8
—	53T(B)-10211C	1:2/2.4&1:0.79/1	1.00&1.00	35&35	1.0 & 1.0	0.80&0.80	—	I	1-3,6-8
53T(B)-122GA	—	1CT:2.4CT&1CT:2.4CT	1.20&1.20	35&35	.60 & .60	0.70&0.70	—	A	1-3,6-8
—	53T(B)-1221VC	1:2CT&1:2CS	1.20&1.20	35&35	.50 & 1.0	1.00&1.00	—	V	1-3,11-9
—	53T(B)-1221JC	1:1.36CT&1:2CT	1.20&1.20	30&30	.60 & .60	1.00&1.00	—	J	16-14,6-8
—	53T(B)-122HAC	1CT:2CT&1CT:2CT	1.20&1.20	30&30	.60 & .60	0.70&0.70	—	A	1-3,6-8
—	53T(B)-1221QC	1CT:2CT&1:1	1.20&1.20	30&30	.60 & .60	0.70&0.70	—	Q	1-3,6-8
—	53T(B)-1221AC	1CT:2CT&1CT:2.42CT	1.20&1.20	35&35	.80 & .80	1.00&1.00	—	A	1-3,6-8
—	53T(B)-122JAC	1CT:1CT&1CT:1CT	1.20&1.20	30&30	.80 & .80	0.70&0.70	—	A	1-3,6-8
—	53T(B)-1221TC	1CT:1:0.8&1CT:1:0.8	1.20&1.20	30&30	.80 & .80	1.00&1.00	—	T	16-14,11-9
—	53T(B)-1221WC	1CT:1.58:2&1:1.65:2	1.20&1.20	30&30	.80 & .80	1.00&1.00	—	W	2-4,6-7
—	53T(B)-1222TC	1CT:1:1&1CT:1:1	1.20&1.20	30&30	.80 & .80	1.00&1.00	—	T	16-14,11-9

NOTE : 1. Standard (STD) operating temperature range is 0°C to 70°C. Extended (EXT) operating temperature range is -40°C to 85°C.  
2. B=Bottom potting, e.g. 53TB-1221ANL,53TB-1222BNL

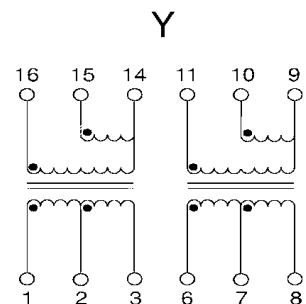
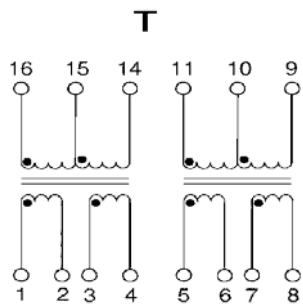
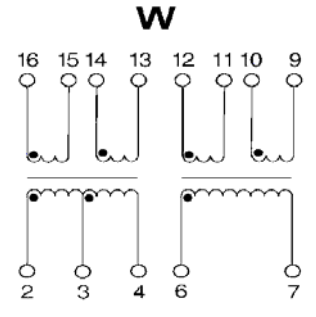
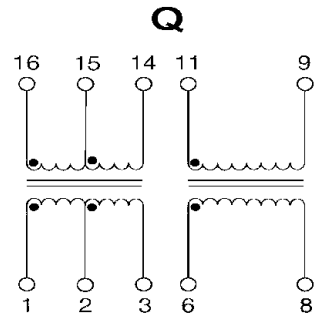
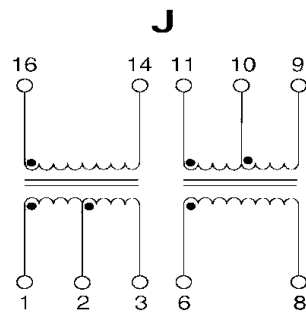
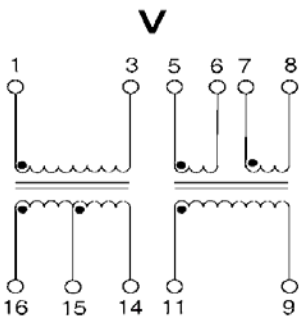
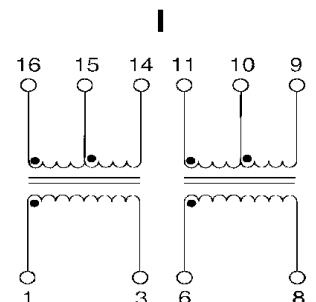
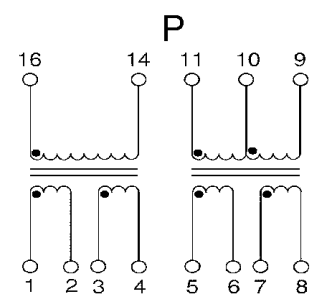
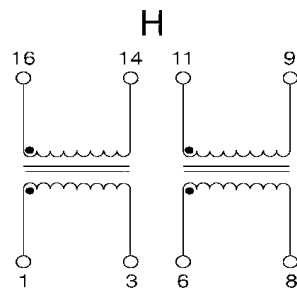
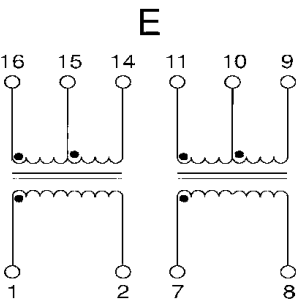
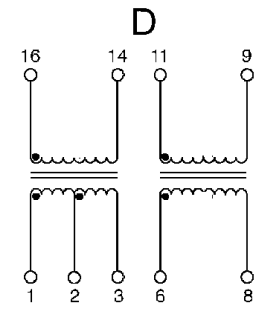
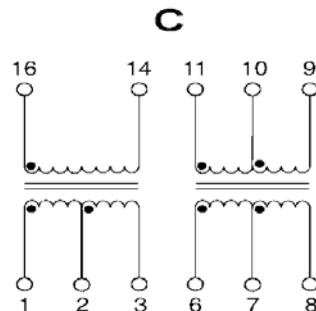
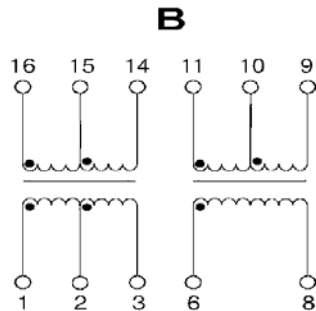
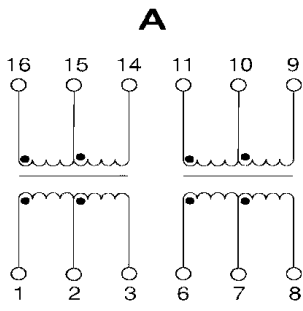
### MARKINGS AND DIMENSIONS



UNIT:mm Unless otherwise specified,all tolerances are ±0.25



**SCHEMATICS**



**Part Number:**

53T - 122 1 A NL  
A B C D E

- A:Series
- B:Inductance
- C:Sequence id
- D:Schematic
- E:RoHS Version