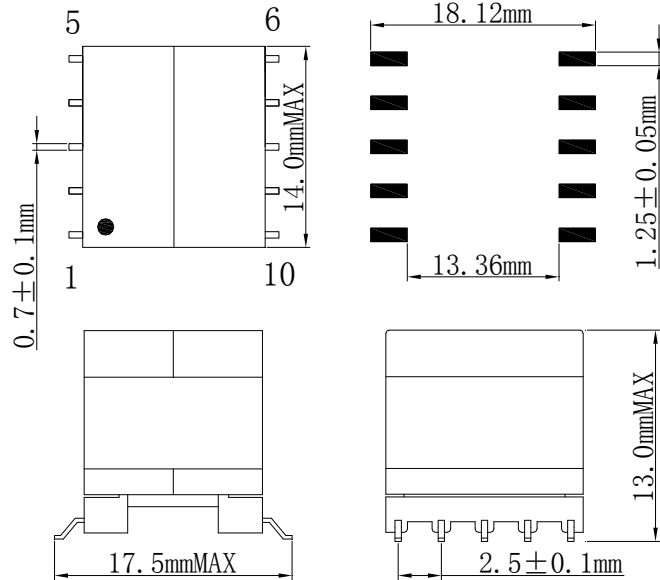


Mechanicals Dimensions

REV.	DESCRIPTION	DATE	DWN	AP'PD
1.0	Edit Schematics	11.7.05	LYP	WANG
2.0	Add packing	12.3.21	LYP	Roger

Suggested Pad Layout



ELECTRICAL SPECIFICATIONS@25°C:

L (10KHz/0.025V):(2-3) 90 μ H ± 10%

L (10KHz/0.025V@1.9A):(2-3) 72 μ HMIN

LK(100KHz/0.025V):(2-3,pin7,8,9,10shorted) 2.0 μ HMAX

DCR: (2-3)0.30 Ω MAX. (5-4)0.12 Ω MAX.

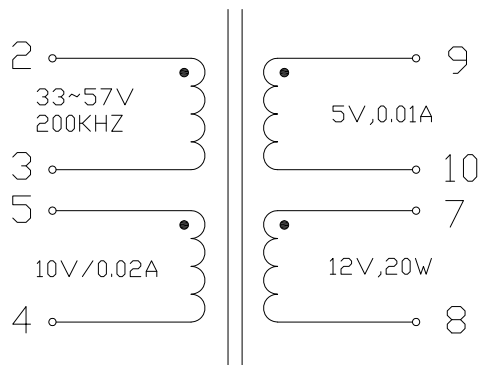
(9-10)0.035 Ω MAX. (7-8)0.027 Ω MAX.


Turn Ratio(±2%): (2-3):(5-4):(9-10):(7-8)=1:0.25:0.125:0.3125

HI-POT:(2,3,4,5) TO (7,8,9,10) AC1800V/ 1mA MAX/2S

(4,5) TO (2,3) AC600V/ 1mA MAX/2S

Schematics

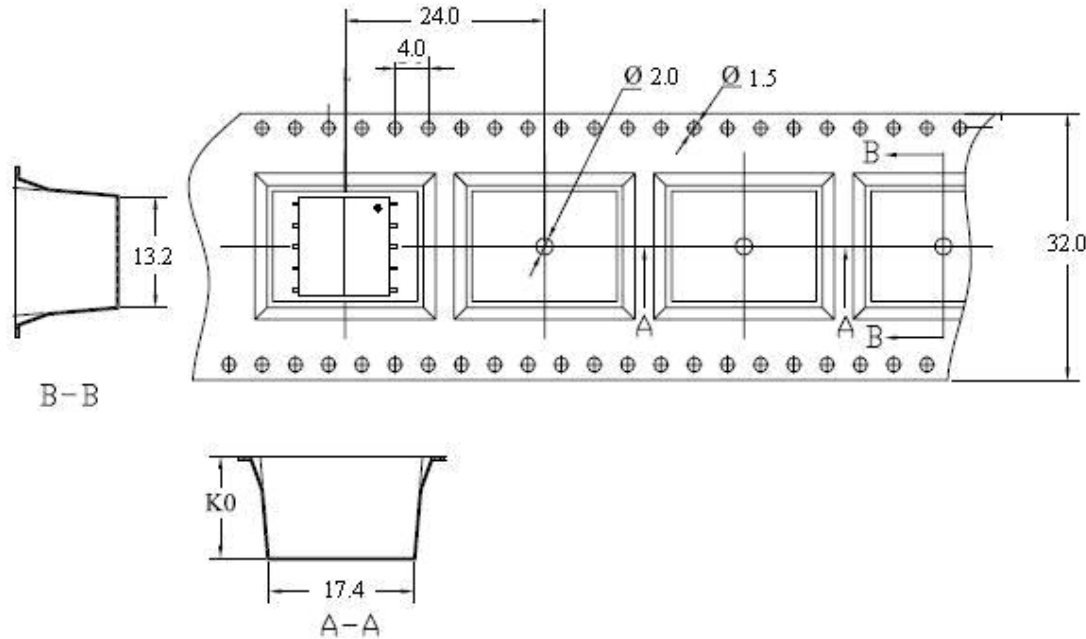


 元册科技股份有限公司 YUAN DEAN SCIENTIFIC CO., LTD.			
TITLE	TRANSFORMER		
P/N	13SEP-9001BZNL	REV.	2.0
PAGE NO	1-2	DATE	2012.3.21
AP'PD	ROGER	DWN	LYP

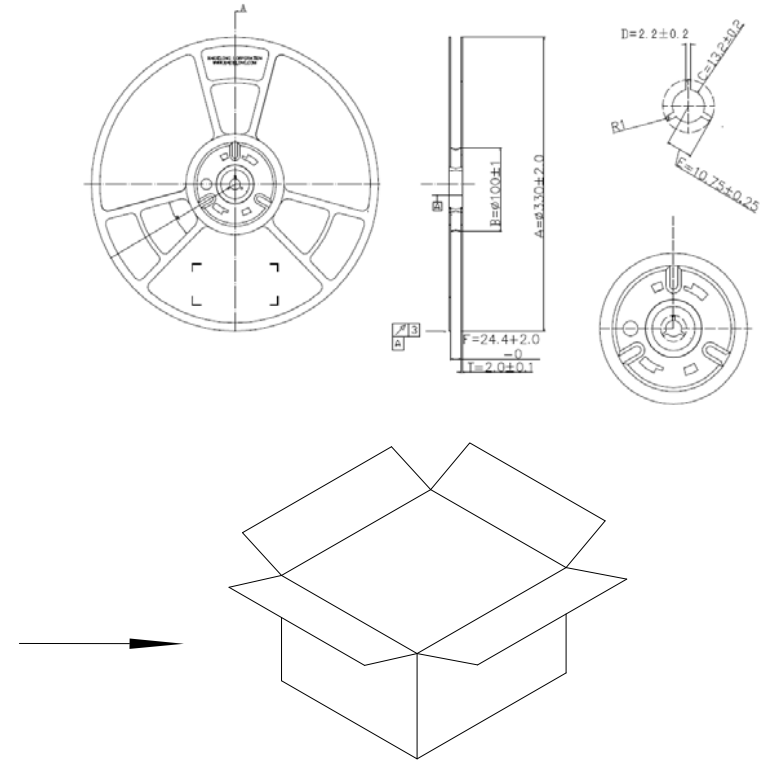
Package

1. Packaging Unit:

Tape & Reel-----200pcs/Reel
 outer carton unit-----1400pcs/box



2. Carton Unit:



Outer carton: 365x365x350mm

(Unit:mm)



元册科技股份有限公司
 YUAN DEAN SCIENTIFIC CO., LTD.

TITLE	TRANSFORMER			P/N	13SEP-9001BZNL	DATE	2012/03/21
REV.	2.0	PAGE NO	2-2	AP'PD	ROGER	DWN	LYP