



FEATURES

- 2X1 RJ45 with internal magnetics
- Suitable for CAT 5 & 6 Fast Ethernet Cable or better UTP
- Internal magnetics are 100% electrically tested for HI-POT and functionality
- 350 μ H minimum OCL with 8 mA bias current
- Recognized by UL 60950-1



ELECTRICAL SPECIFICATIONS @25°C-Operating temperature 0°C TO 70°C									
Part Number	Turns Ratio		Insertion Loss (dB MAX)		Return Loss (dB MIN) 100 Ω ±15 Ω		Crosstalk (dB TYP)	Common Mode Rejection (dB TYP)	Hipot (Vrms)
	TX	RX	1-80 MHz	100 MHz	1-60 MHz	60-100 MHz	1-100 MHz	1-100 MHz	@60Hz
71F-1201ND2*	1CT:1	1CT:1CT	-1.0	-1.2	-16	-12	-35	-30	1500
71F-1202ND2*	1CT:1CT	1CT:1CT	-1.0	-1.2	-14	-10	-35	-30	1500
71F-1203ND2*	1CT:1CT	1CT:1CT	-1.0	-1.2	-14	-10	-35	-30	1500
71F-1204ND2*	1CT:1CT	1CT:1CT	-1.0	-1.2	-14	-10	-35	-30	1500
71F-1204GYDNW2*	1CT:1CT	1CT:1CT	-1.0	-1.2	-14	-10	-35	-30	1500

Part Number:

71F - 1204 GYD NW 2 NL
 A B C D E F

- A:Series
- B:Schematics
- C:Led
- D:Mechanical
- E:Gold Plating:2=6u",3=15u",4=30u",5=50u"
- F:RoHS Version

Mechanicals

Housing Material:

MATERIAL:NYLON GF UL94V-0 STANDARD COLOR:BLACK

Insert Material:

MATERIAL: CONT---0.35mm THICKNESS

PHOS---BRONZE.C5210

INSERT---PBT GF UL94V-0

1.PLATING: NICKEL

2.PLATING: 100%Sn

3.PLATING: GOLD (6u" ~50u")

Contact pin Material:

1.NYLON GF UL94V-0

2.0.30mm THICKNESS PHOS-BRONZE C5191

3.PLATING 100%SN

Shielding Material:

1. BRASS C2680 PLATING NICKEL

2.PLATING NICKEL

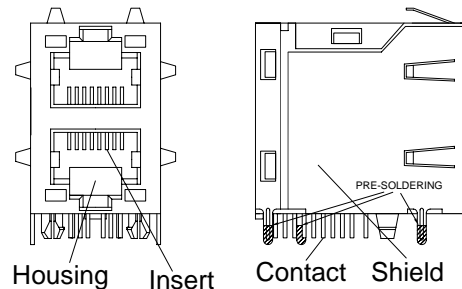
Operating Life:750 Cycles MIN.0

Environmental

1.Storage Temp:-40°C TO +85°C.

2.Operating Temp: 0°C TO +70°C.

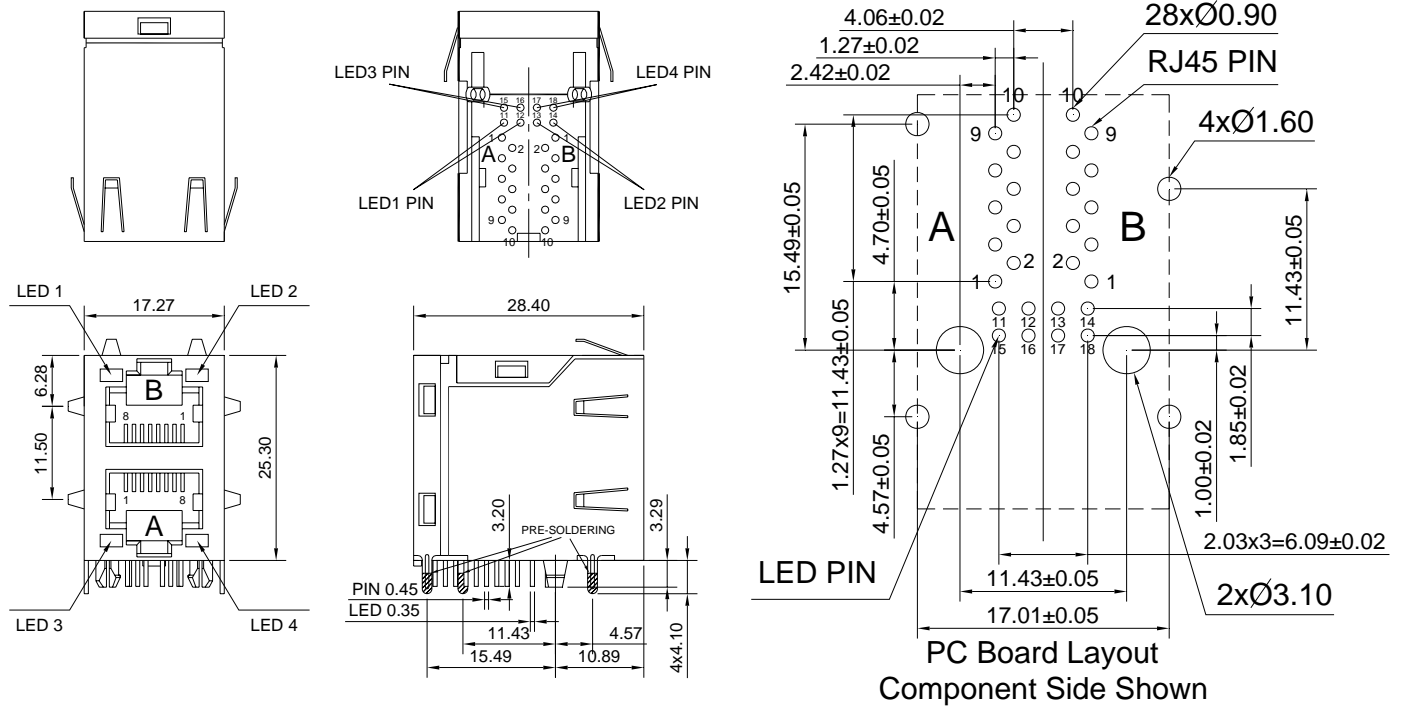
3. MATES WITH MODULAR PLUG CONFORMING TO FCC PART 68,SUBPART F.





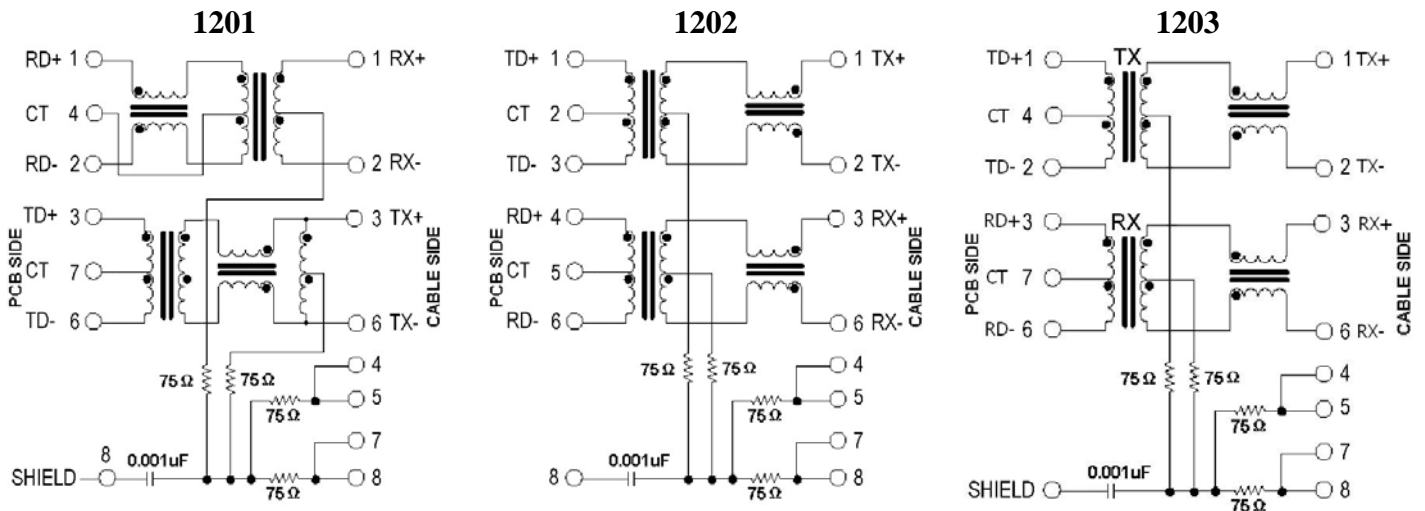
Mechanicals and Dimensions

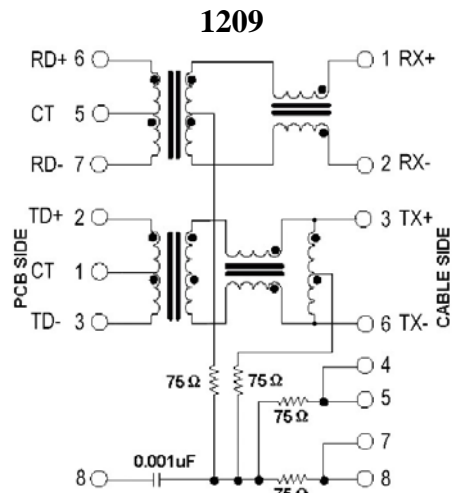
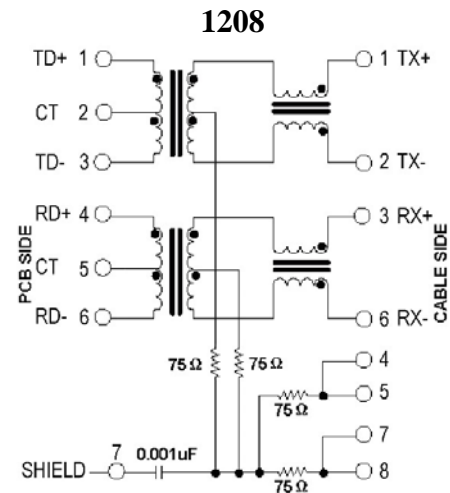
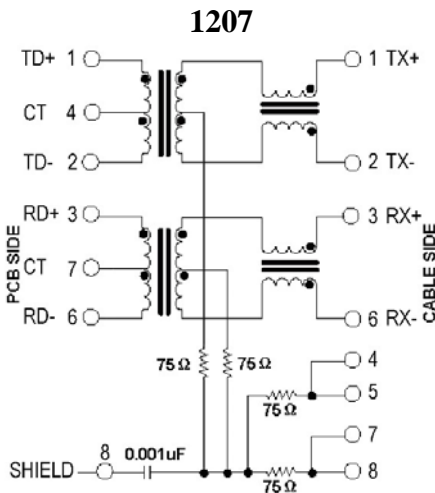
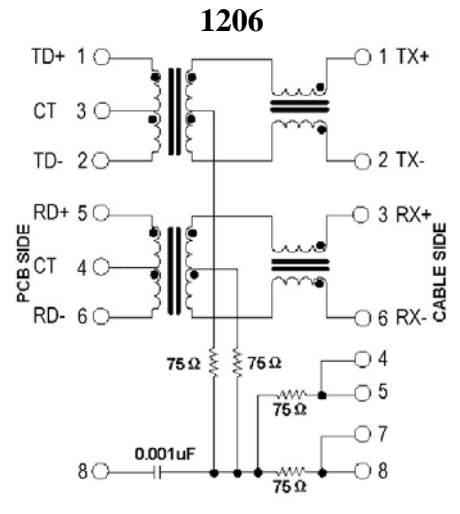
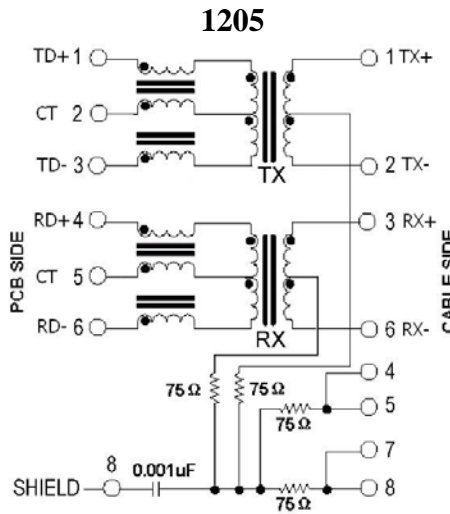
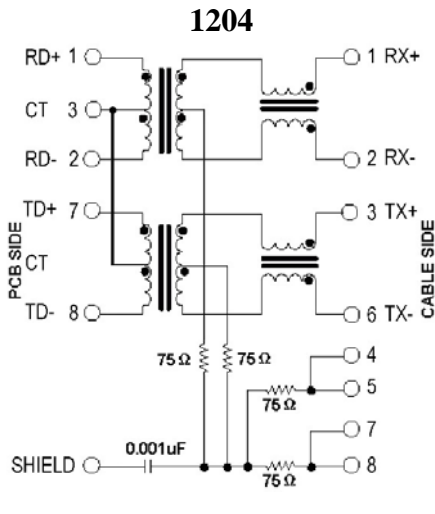
10/100/1000 Base-TX



UNIT:mm Tolerances: .X= ±0.38, .XX = ±0.25

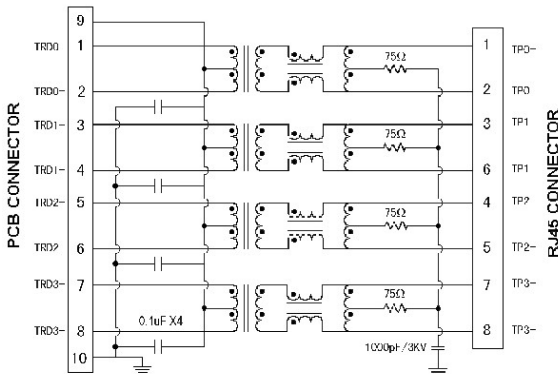
Schematics



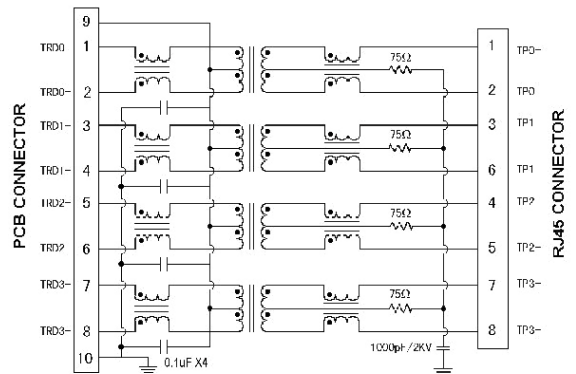




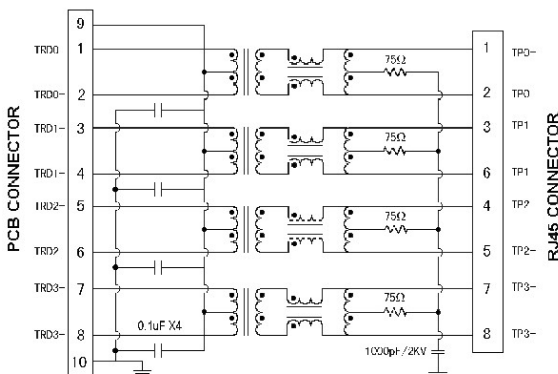
1301



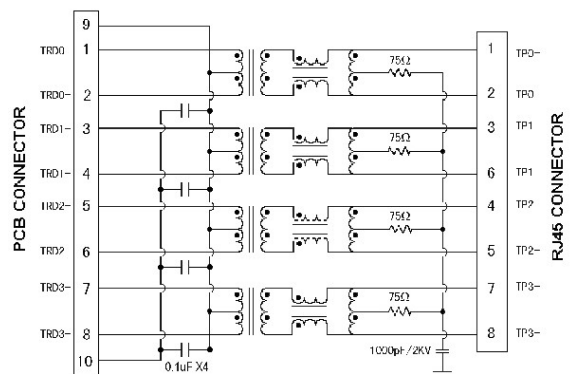
1302



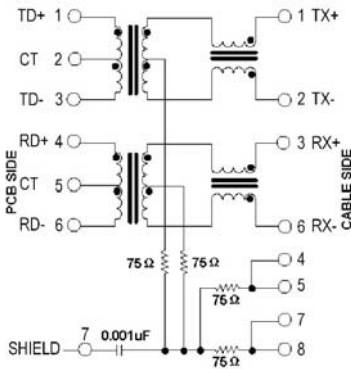
1303



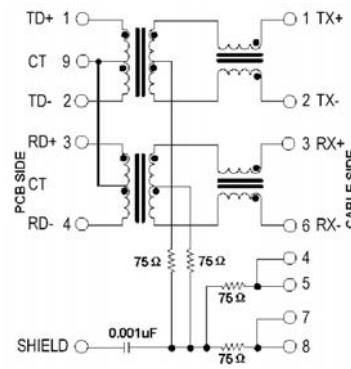
1304



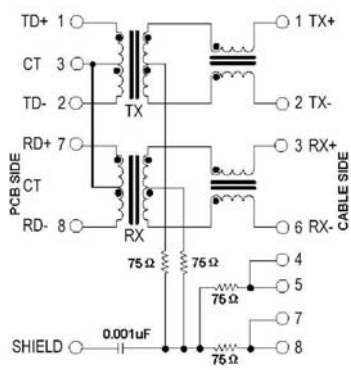
1305



1306



1307



1308

