



FEATURES

- RJ45 1xN, Tab-DOWN&UP 8-pin with internal magnetics
- Options: 1x2, 1x4, 1x5 for 10/100/1000 Base-TX
- Available with and without LEDs
- Suitable for CAT 5 and 6 Fast Ethernet cable or better UTP
- Internal magnetics are 100% electrically tested for HI-POT and functionality
- 350uH minimum OCL with 8mA bias current
- Minimum 1500Vrms isolation per IEEE 802.3 requirement
- Recognized by UL 60950-1



ELECTRICAL SPECIFICATIONS @25°C-Operating temperature 0°C TO 70°C

Part Number	Turns Ratio ±5%		TAB Option	LEDs	Insertion Loss (dB TYP)	Return Loss (dB TYP@100Ω±15Ω)				Crosstalk (dB TYP)			Common Mode Rejection (dB TYP)		Hipot (V _{rms})
	TX	RX				L/R	0.3-100 MHz	1-10 MHz	30 MHz	60-80 MHz	1-10 MHz	30-60 MHz	60-100 MHz	1-50 MHz	
64F-1201ND2	1CT:1CT	1CT:1CT	DOWN	-	-1.2	-18	-16	-12	-40	-35	-30	-30	-20	1500	
64F-1202ND2	1CT:1CT	1CT:1CT	DOWN	-	-1.2	-18	-16	-12	-30	-30	-30	-30	-20	1500	
64F-1203ND2	1CT:1CT	1CT:1CT	DOWN	-	-1.2	-18	-16	-12	-40	-35	-30	-30	-20	1500	
62F-1204GYD2	1CT:1CT	1CT:1CT	DOWN	G/Y	-1.2	-18	-16	-12	-40	-35	-30	-30	-20	1500	
64F-1204GYD2	1CT:1CT	1CT:1CT	DOWN	G/Y	-1.2	-18	-16	-12	-40	-35	-30	-30	-20	1500	
62F-1204ND2	1CT:1CT	1CT:1CT	DOWN	-	-1.2	-18	-16	-12	-40	-35	-30	-30	-20	1500	
64F-1204ND2	1CT:1CT	1CT:1CT	DOWN	-	-1.2	-18	-16	-12	-40	-35	-30	-30	-20	1500	
65F-1301ND2	1CT:1CT	1CT:1CT	UP	-	-1.2	-18	-16	-12	-40	-35	-30	-30	-20	1500	

Part Number:

64F- 1204 GYD NW 2 NL
 A B C D E F

- A:Series
- B:Schematics
- C:Led
- D:Mechanical
- E:Gold Plating:1=3u",2=6u",3=15u",4=30u"5=50u"
- F:RoHS Version

Mechanicals

Housing Material:
 MATERIAL:NYLON GF (Fr50) UL94V-0 STANDARD COLOR: BLACK

Insert Material:
 MATERIAL:Phos-Bronze C5210 EH---0.35mm Thickness
 Insert -PBT GF UL94V-0

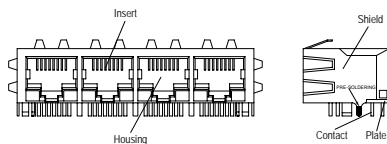
- 1.PLATING(1) NICKEL
- 2.PLATING(2) 100%Sn
- 3.PLATING(3) GOLD (3u " ~ 50u ")

Plate Material:
 PBT GF UL 94V-0

Contact pin Material:
 MATERIAL: Phos-Bronze C5191 ---0.35mm Thickness
 1.PLATING(1) NICKEL
 2.PLATING(2) 100%Sn

Shielding Material:
 BRASS C2680 PLATING NICKEL
Operating Life:750 Cycles MIN.
Environmental

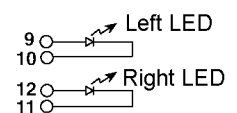
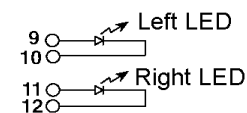
- 1.Storage Temp:-40°C TO +85°C.
- 2.Operating Temp: 0°C TO +70°C.
3. MATES WITH MODULAR PLUG CONFORMING TO FCC PART 68,SUBPARTF.



LED Configuration

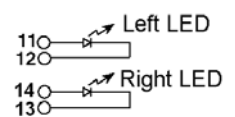
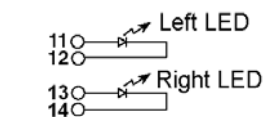
8PIN:

1 2.



10PIN:

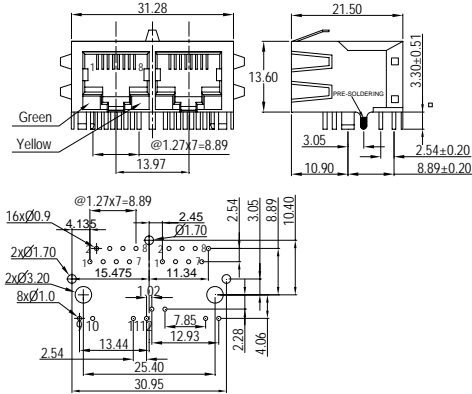
1. 2.



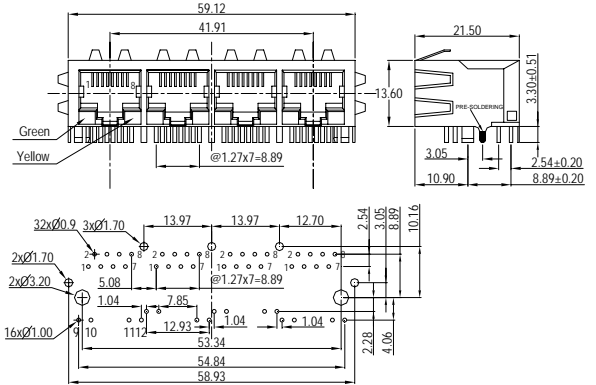


Mechanicals and Dimensions

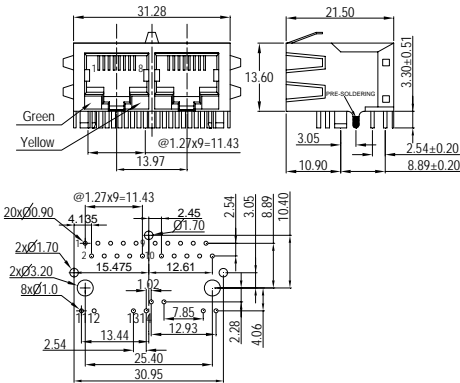
62F(10/100 Base-T):



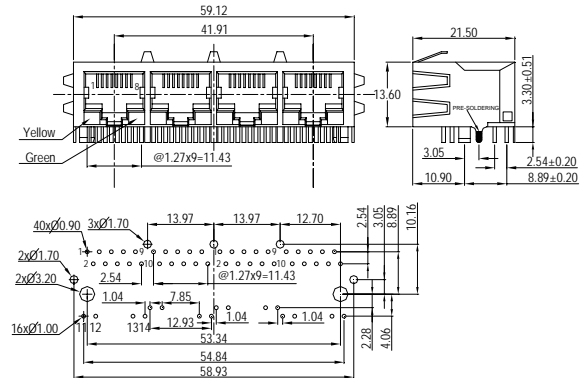
64F(8W):



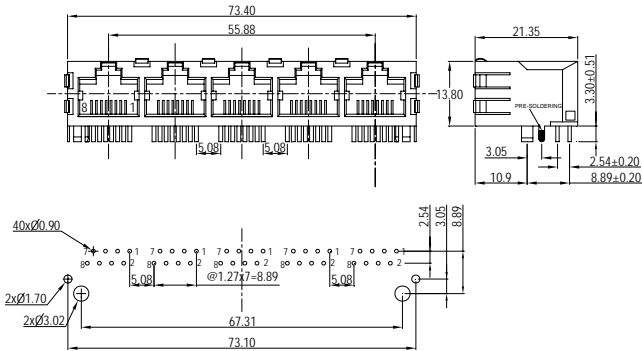
62F(1000 Base-T):



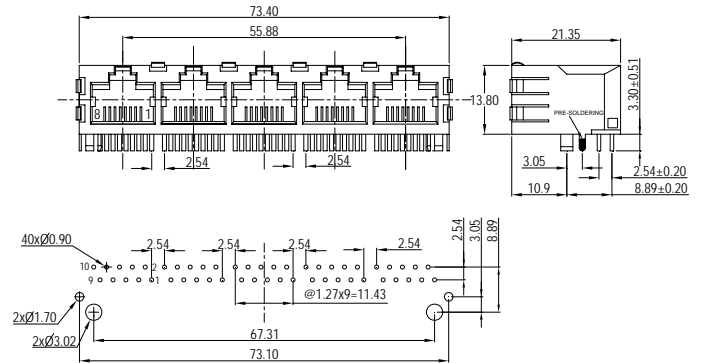
64F:



65F(10/100 Base-T):

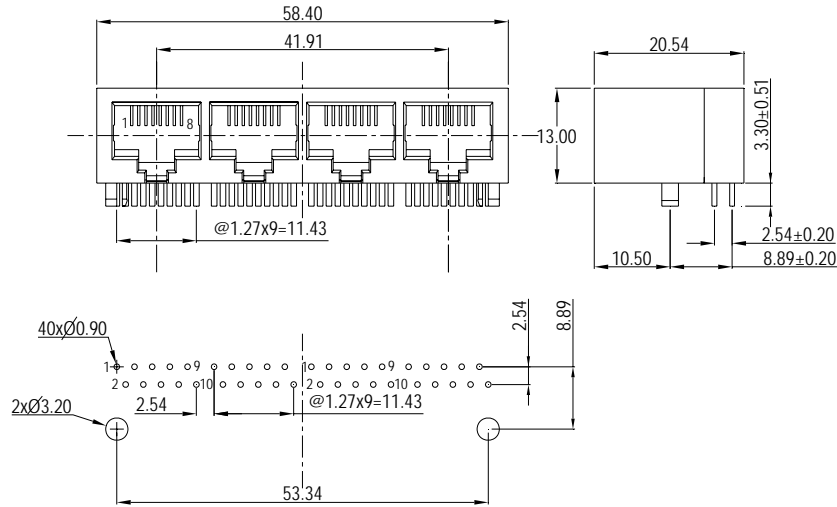


65F(1000 Base-T):



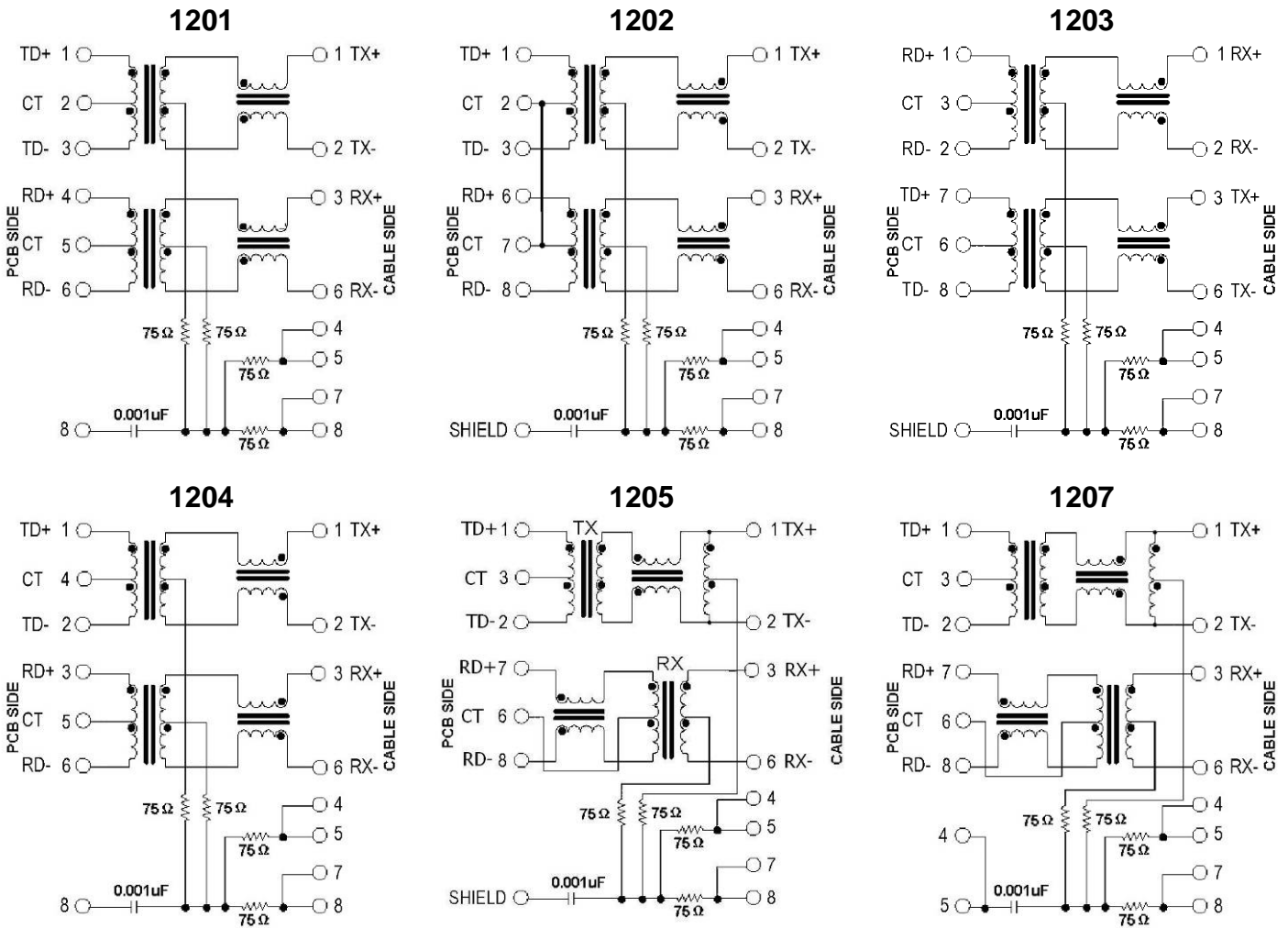


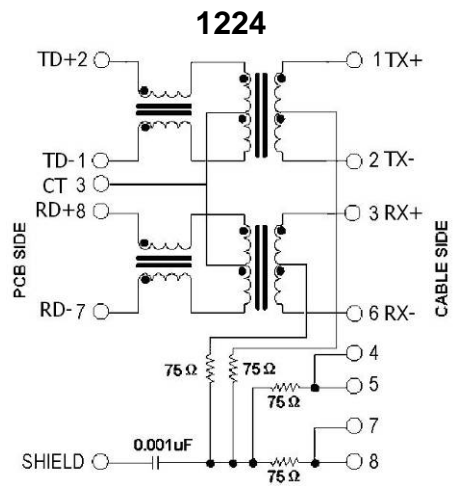
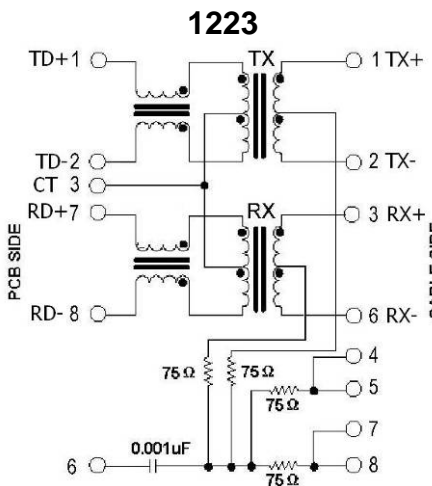
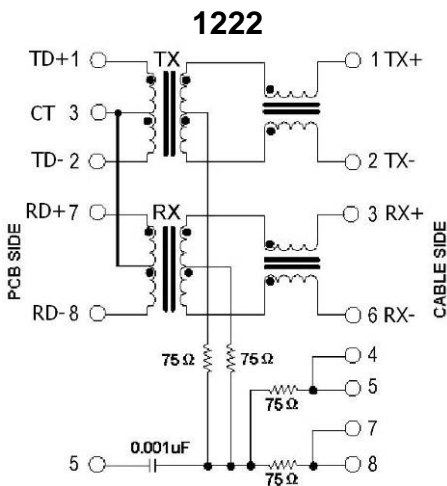
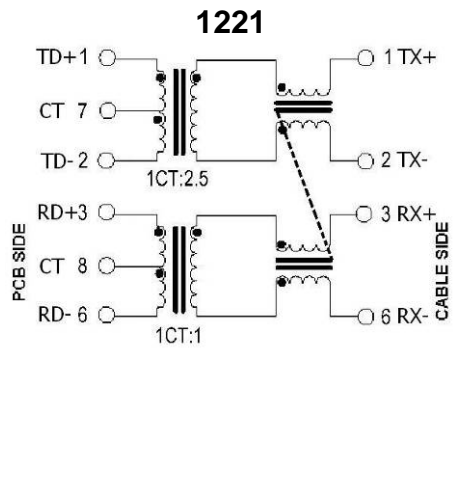
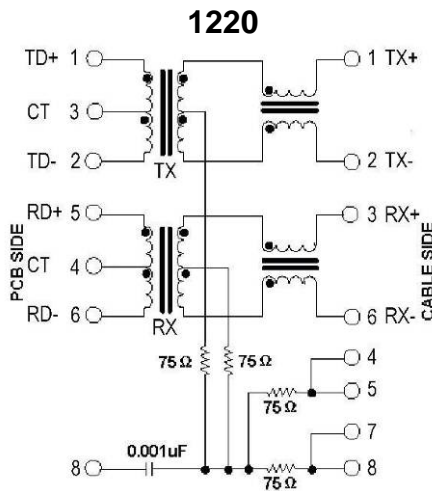
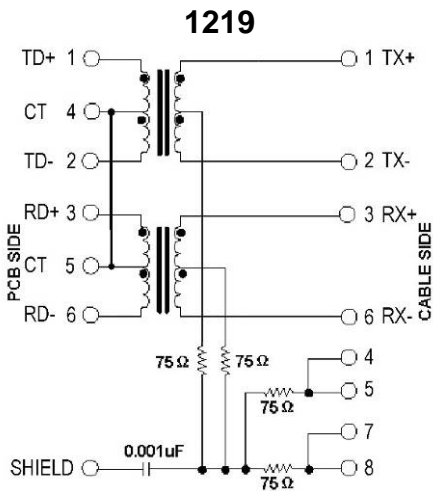
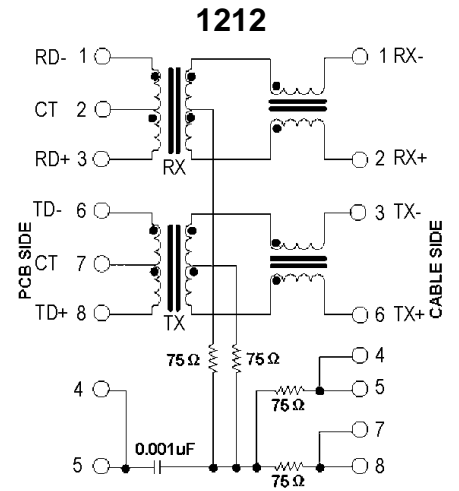
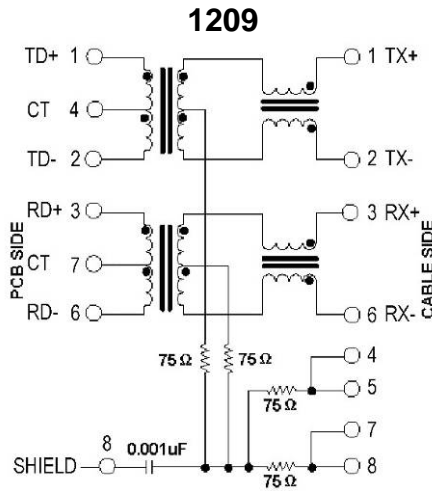
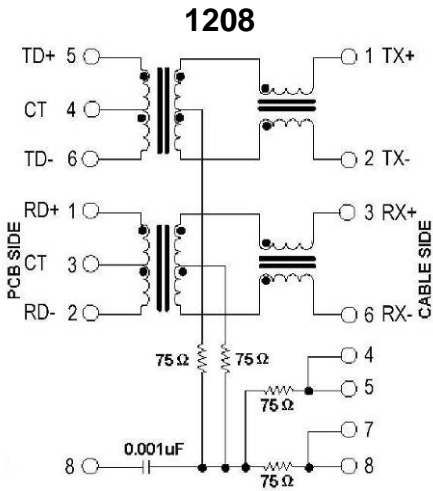
64F(10/100Base-T)Small Module

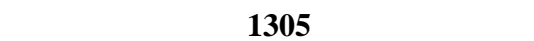
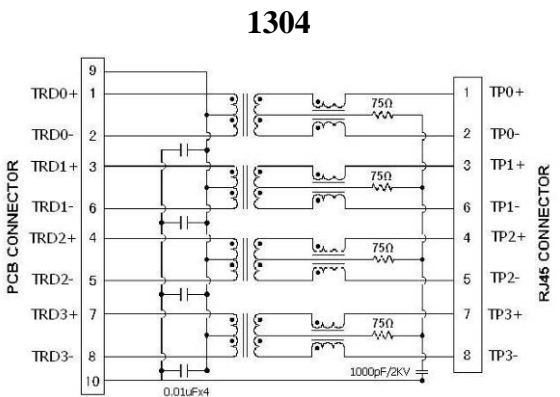
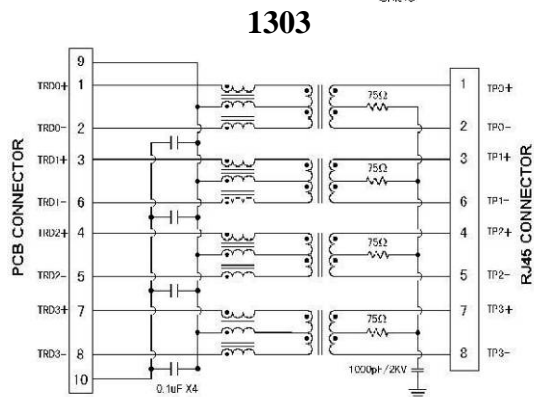
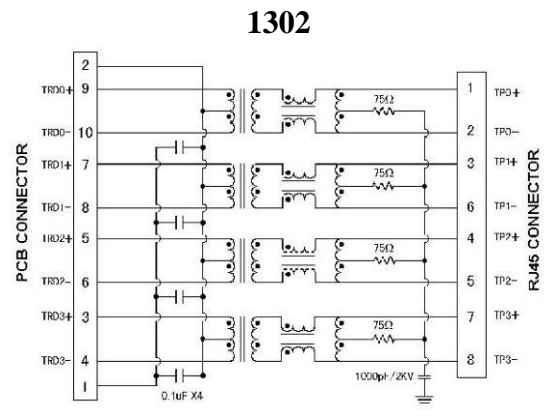
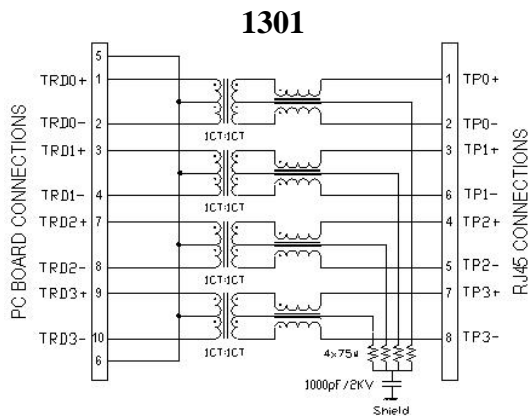
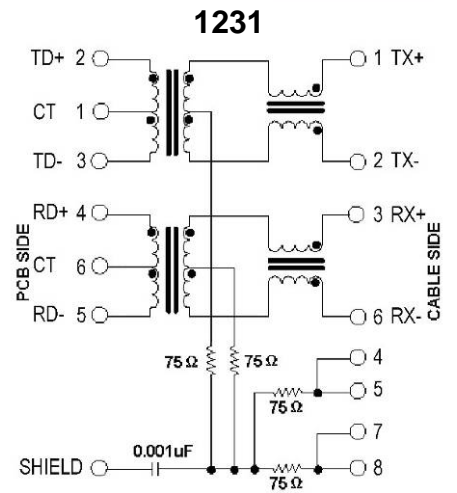
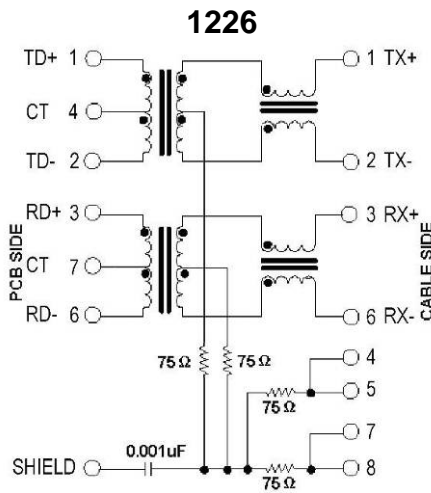
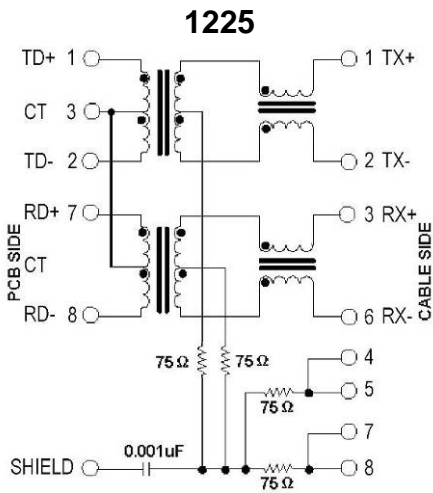


UNIT:mm Unless otherwise specified,all tolerances are ±0.25

SCHEMATICS:





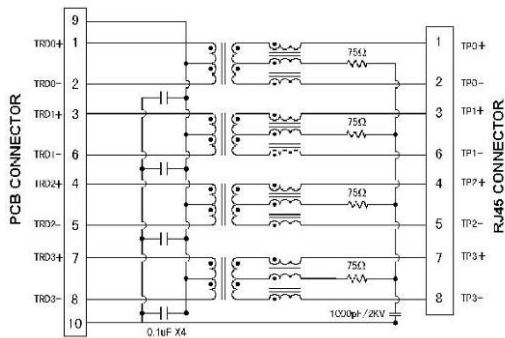




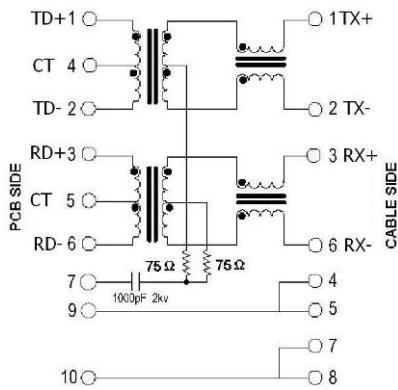
Yuan Dean Scientific CO., LTD

10/100/1000 BASE-T RJ45 1xN JACK WITH MAGNETIC MODULE

6XF Series



1307



1308

