



FEATURES

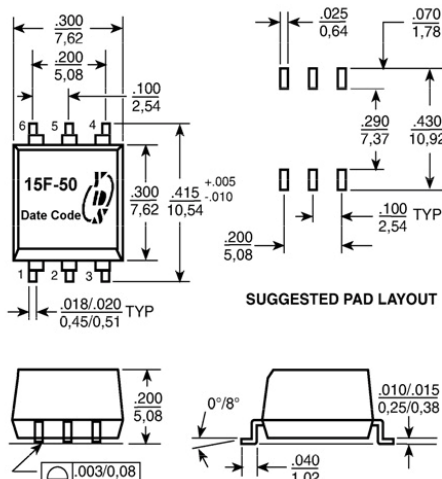
- IEEE 802.3af/ANSI X3.263 compliant performance
- Suitable for End-span and Mid-span PoE applications
- 350 mA current capability
- Designed for IP phone or switch applications
- Compact footprint
- Designed to withstand IR reflow temperatures up to 235°C
- Recognized by UL 1950



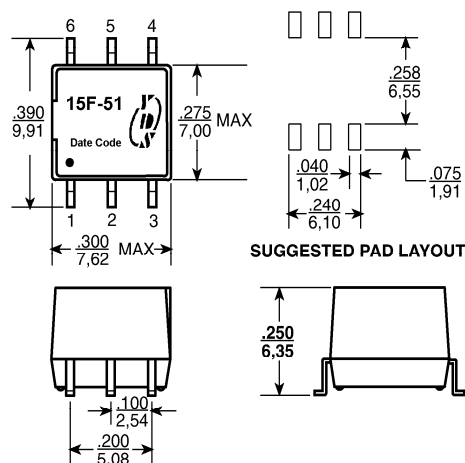
ELECTRICAL SPECIFICATIONS @25°C-Operating temperature 0°C TO 70°C														
Part Number	Ports	Insertion Loss (dB max)	Return Loss (dB MIN @100Ω)				Differential to Common Mode Rejection (dB MIN)			Crosstalk (dB MIN)			Hipot (Vrms MIN) @60Hz	DC Resistance Balance ≤(%)
			1-100 MHz	1-30 MHz	40 MHz	50 MHz	60-80 MHz	30 MHz	60 MHz	100 MHz	30 MHz	60 MHz		
15F-50	1	-1.2	-16	-14	-13	-12	-43	-37	-33	-	-	-	1500	-
15F-51	1	-1.2	-16	-14	-13	-12	-43	-37	-33	-	-	-	1500	-
15F-32	1	-1.2	-16	-14	-13	-12	-43	-37	-33	-45	-40	-35	1500	-
15F-30	1	-1.2	-16	-14	-13	-12	-43	-37	-33	-45	-40	-35	1500	3.5
15F-10	2	-1.2	-16	-14	-13	-12	-43	-37	-33	-43	-37	-31	1500	3.5
15F-11	2	-1.2	-16	-14	-13	-12	-40	-35	-30	-43	-37	-33	1500	3.5
15F-20	2	-1.1	-16	-14	-13	-12	-43	-37	-33	-43	-37	-33	1500	3.5
15F-21	2	-1.0	-18	-18	-16	-12	-43	-37	-33	-43	-37	-33	1500	-
15F-22	2	-1.1	-18	-12	-12	-12	-	-	-	-	-	-	1500	-
15F-23	2	-1.2	-18	-16	-14	-12	-45	-45	-35	-45	-40	-35	1500	-
15F-24	2	-1.2	-18	-16	-14	-12	-45	-45	-35	-45	-40	-35	1500	-
15F-25	1	-1.1	-16	-14	-13	-12	-43	-37	-33	-40	-35	-30	1500	-
15F-26	2	-1.2	-16	-14	-13	-12	-43	-37	-33	-43	-37	-31	1500	-
15F-40	4	-1.2	-16	-14	-13	-12	-43	-37	-33	-45	-40	-35	1500	3.5
15F-41	4	-1.2	-16	-14	-13	-12	-43	-37	-33	-45	-40	-35	1500	3.5
15F-31C	1	-1.4	-16	-14	-13	-12	-	-	-	-45	-40	-35	1500	3.5
15F-42	4	-1.1	-18	-12	-12	-12	-	-	-	-43	-37	-33	1500	-
15F-43	2	-1.1	-16	-14	-13	-12	-43	-37	-33	-43	-37	-33	1500	-
15F-43A	2	-1.1	-16	-14	-13	-12	-43	-37	-33	-43	-37	-33	1500	-
15F-44	2	-1.1	-16	-14	-13	-12	-43	-37	-33	-43	-37	-33	1500	-
15F-45	2	-1.1	-18	-12	-12	-12	-	-	-	-43	-37	-33	1500	-
15F-46	2	-1.1	-18	-12	-12	-12	-	-	-	-43	-37	-33	1500	-
15F-47	4	-1.1	-18	-18	-	-12	-40	-40	-40	-45	-40	-35	1500	0.9

Mechanicals

15F-50



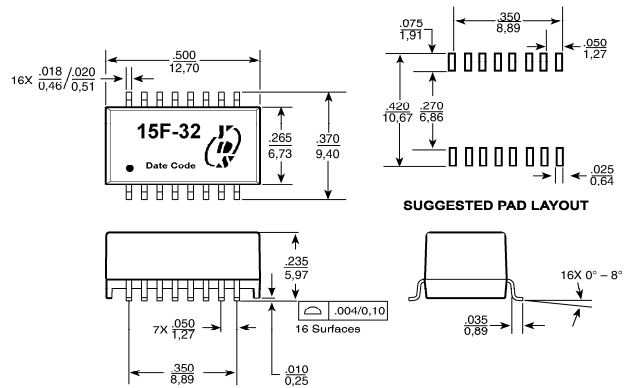
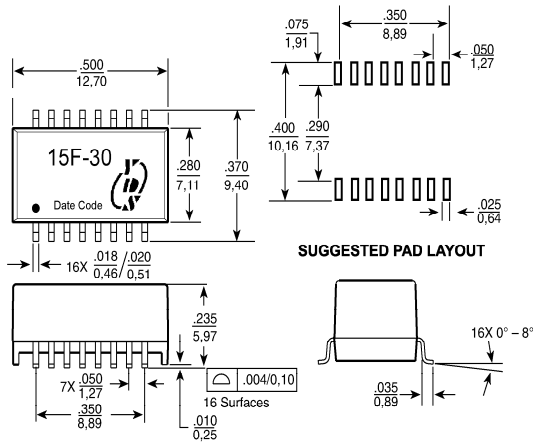
15F-51





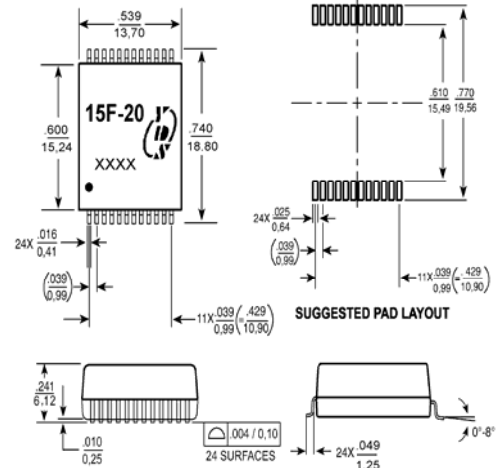
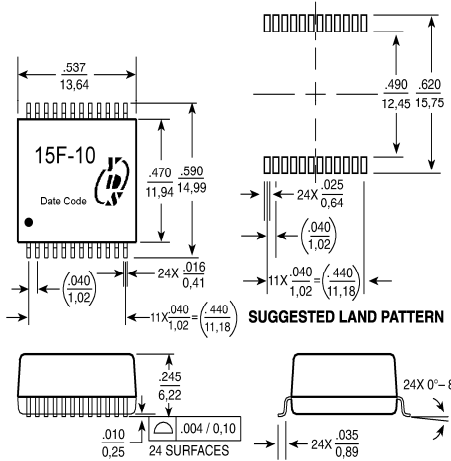
15F-30,15F-31C

15F-32



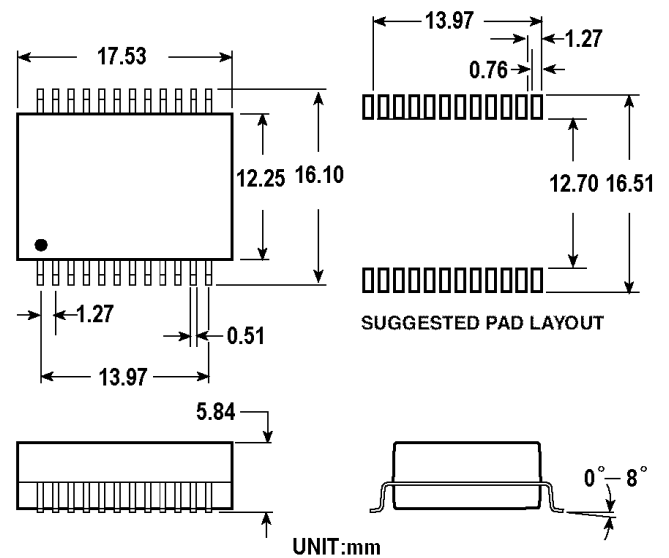
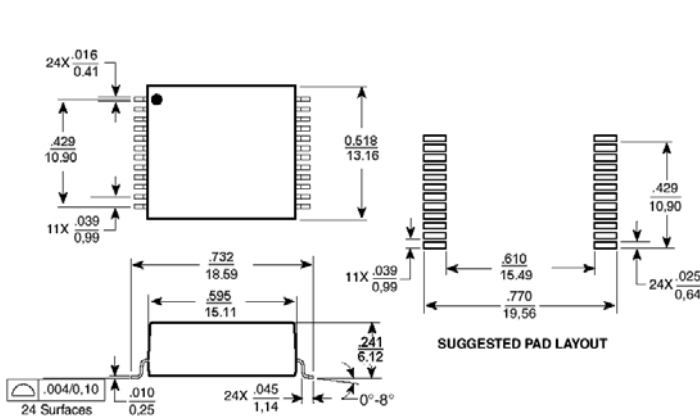
15F-10,15F-11

15F-20,15F-25



15F-21

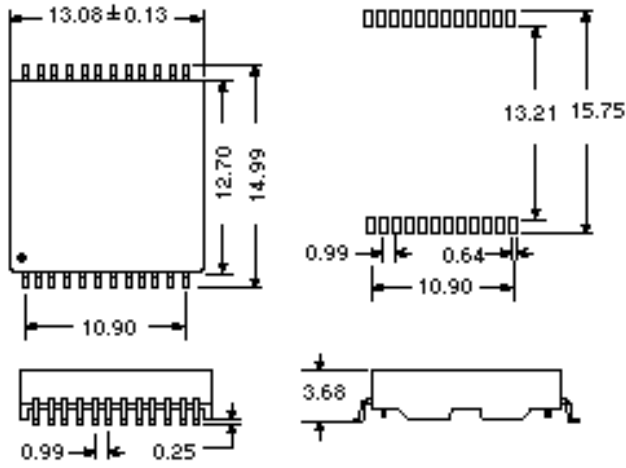
15F-22



UNIT:mm

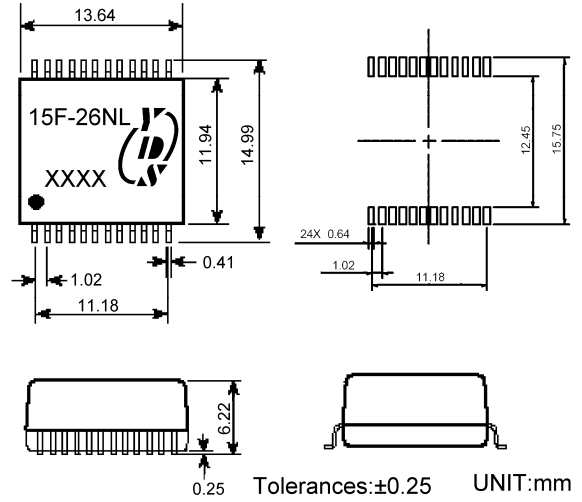


15F-23,15F-24



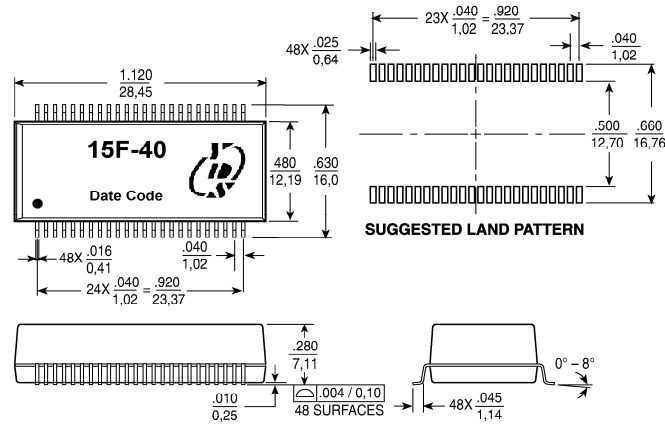
UNIT : mm

15F-26



15F-4X

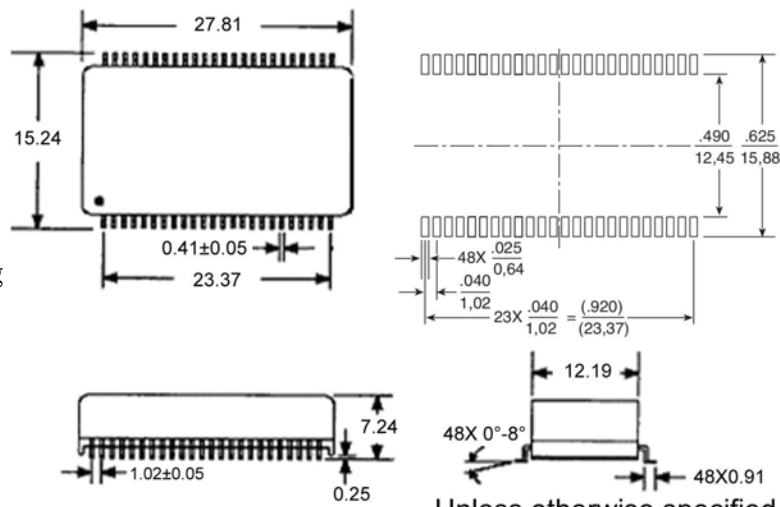
Molding



Dimensions: $\frac{\text{Inches}}{\text{mm}}$ Unless otherwise specified, all tolerances are $\pm \frac{.010}{0,25}$

15FB-4X

Bottom Potting



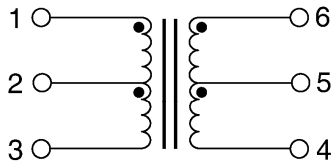
UNIT:mm

Unless otherwise specified, all tolerances are ± 0.25

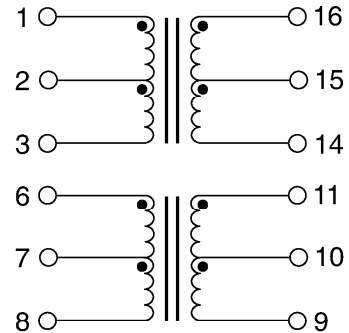
SCHEMATICS



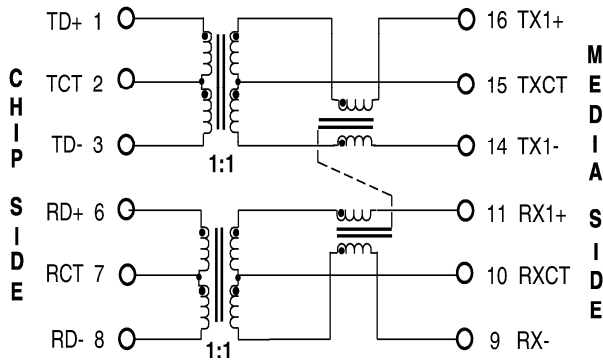
15F-50,15F-51



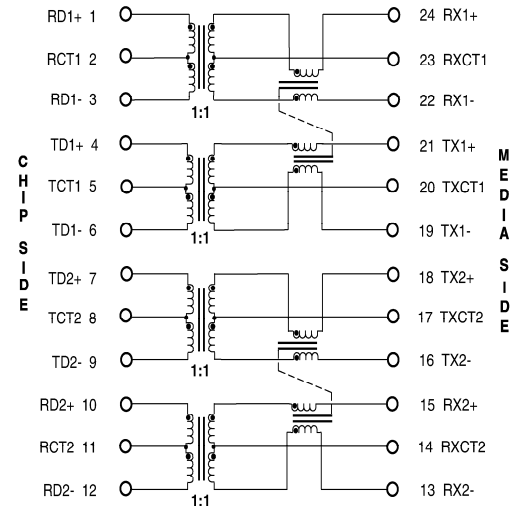
15F-32



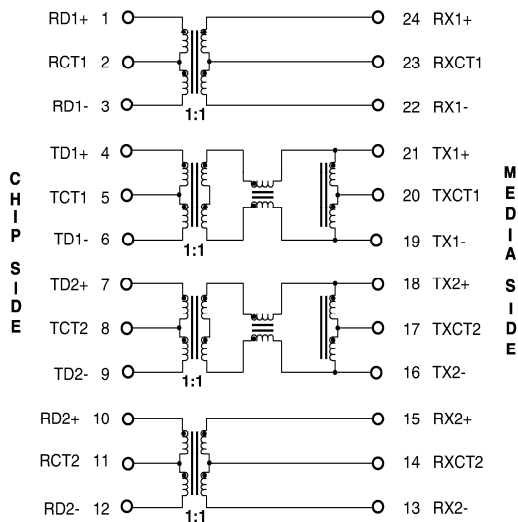
15F-30,15F-31C



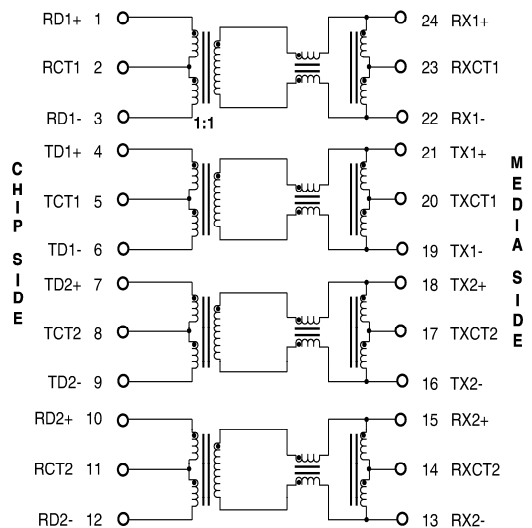
15F-10



15F-11

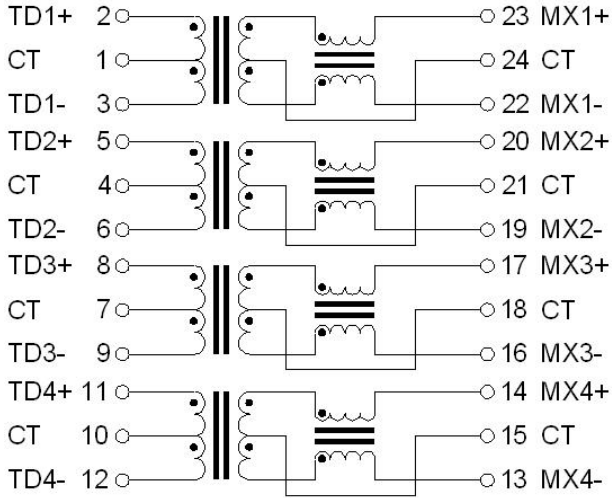


15F-20

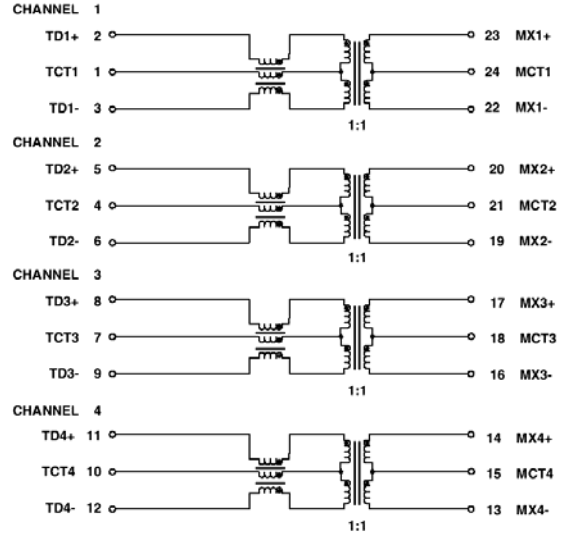




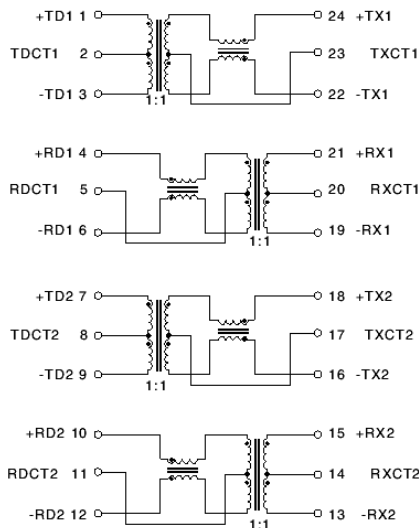
15F-21



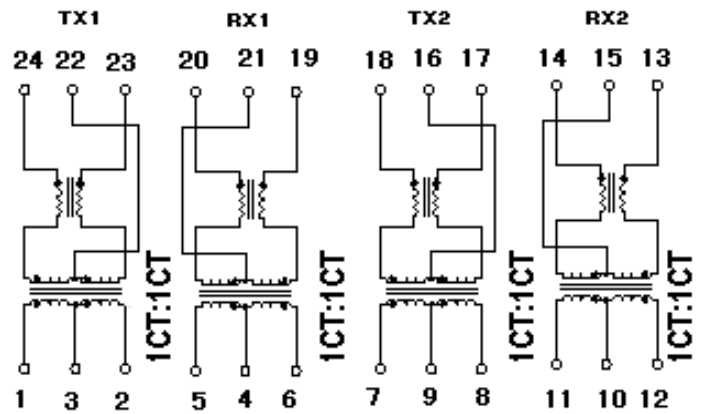
15F-22



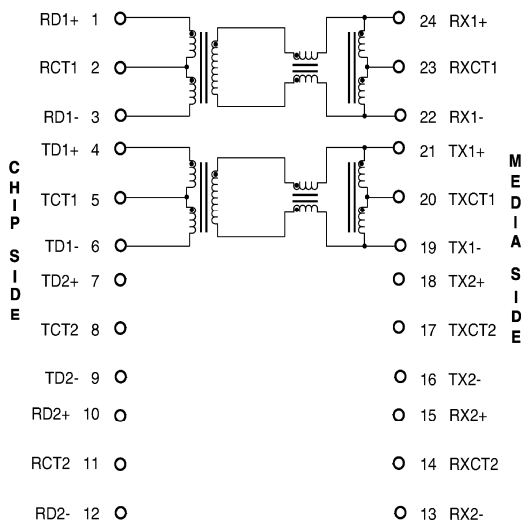
15F-23



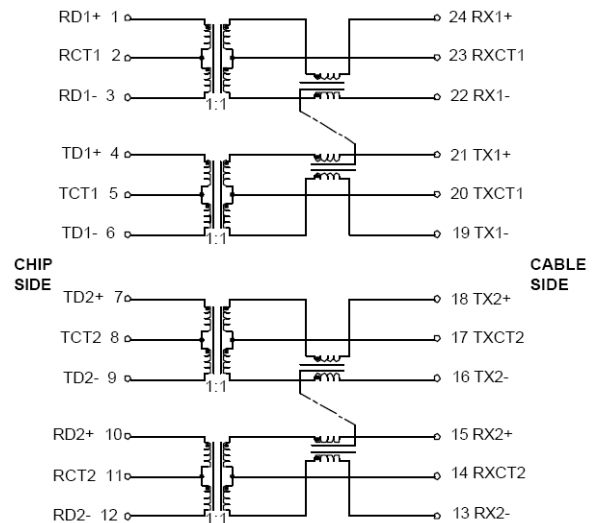
15F-24



15F-25

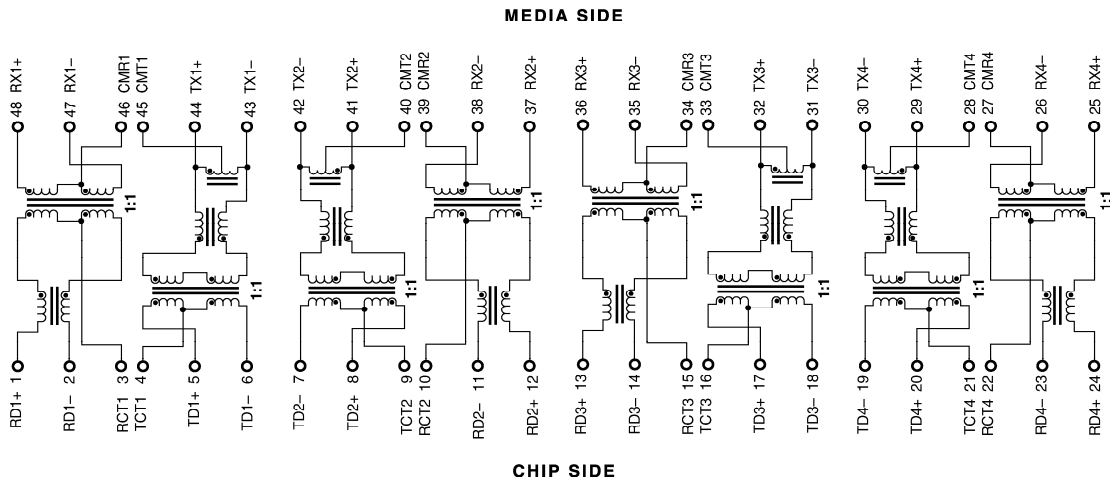


15F-26

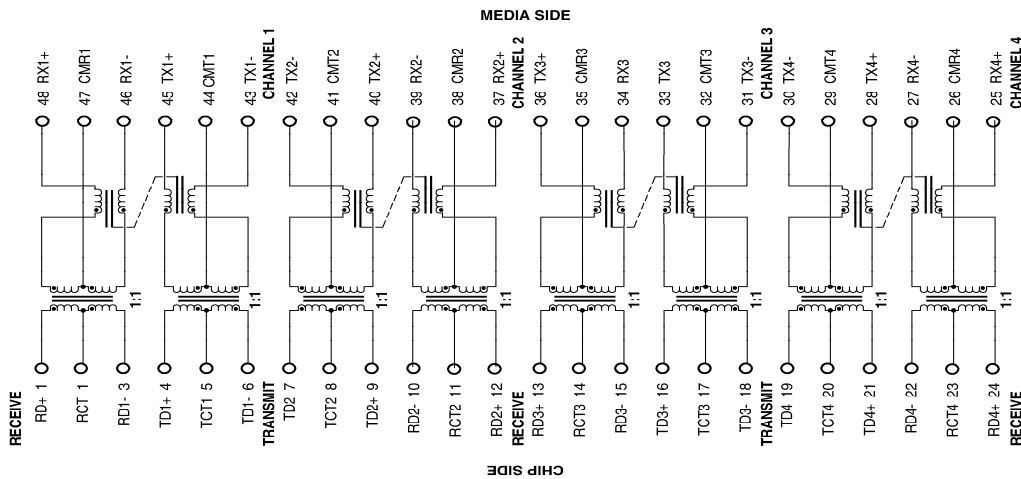




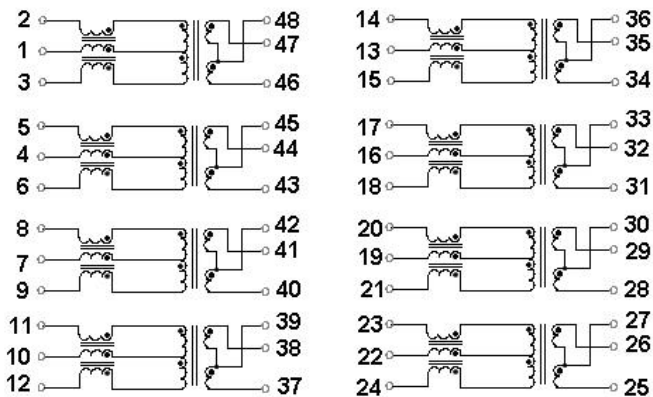
15F-40



15F-41



15F-42



15F-43

