



**FEATURES**

- Compliant with IEEE 802.3u and ANSI X3.263 standards including 350uH OCL with 8mA Bias.
- Operating temperature range: 0°C to +70°C
- Storage temperature range:-25°C to +105°C.
- Recognized By UL 1950

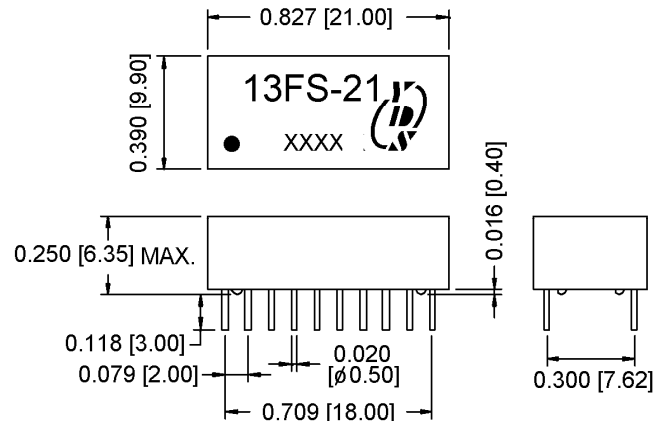
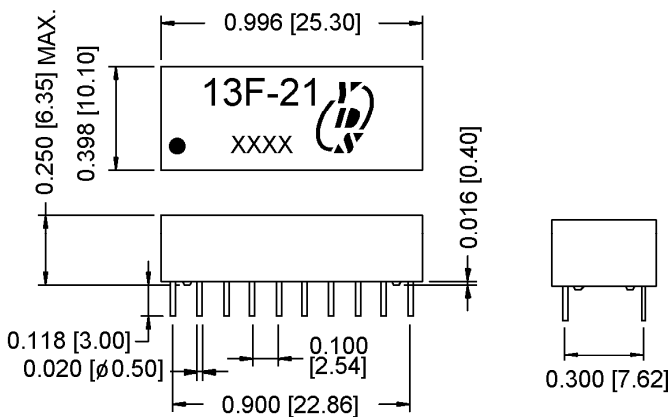


ELECTRICAL SPECIFICATIONS @25°C-Operating temperature 0°C TO 70°C										
Part Number	Turns Ratio(±5%)		Insertion Loss (dB MAX) 0.3-100 MHz	Return Loss (dB MIN @100Ω)			Crosstalk (dB MIN) 0.3-100 MHz	DCMR (dB MIN)		Hipot (Vrms)
	Transmit	Receive		.3-30 MHz	30-60 MHz	60-80 MHz		0.3-60 MHz	60-100 MHz	
13F-21	1CT:1CT	1:1	-1.15	-18	-14	-12	-38	-40		1500
13F-22	1CT:1CT	1:1	-1.15	-18	-14	-12	-38	-40		1500
13F-22A	1CT:1CT	1:1	-1.15	-18	-14	-12	-38	-40		1500
13F-23	1CT:1CT	1:1	-1.1	-18	-14	-12	-38	-40		1500
13F-23A	1CT:1CT	1:1	-1.15	-18	-14	-12	-38	-40		1500
13F-23B	1CT:1CT	1:1	-1.15	-18	-14	-12	-38	-40		1500
13F-24	1CT:1CT	1:1	-1.15	-18	-14	-12	-38	-40		1500
13F-25	1CT:1CT	1:1	-1.15	-18	-14	-12	-38	-40		1500
13F-25A	1CT:1CT	1:1	-1.15	-18	-14	-12	-38	-40		1500
13F-26	1CT:1CT	1:1	-1.15	-18	-14	-12	-38	-40		1500
13F-26A	1CT:1CT	1:1	-1.15	-18	-14	-12	-38	-40		1500
13F-27	1CT:1CT	1:1	-1.15	-18	-14	-12	-38	-40	-30	1500
13F-28	1CT:1CT	1:1	-1.15	-18	-14	-12	-38	-40		1500
13F-211	1CT:1CT	1:1	-1.0	-18	-14	-12	-38	-40		1500
13F-231	1CT:1CT	1:1	-1.15	-18	-14	-12	-38	-40		1500
13FS-21	1CT:1CT	1:1	-1.15	-18	-14	-12	-38	-40		1500
13FS-211	2CT:1CT	1:1	-1.15	-18	-14	-12	-38	-40		1500

**Mechanicals**

**13F-2X**

**13FS-2X**

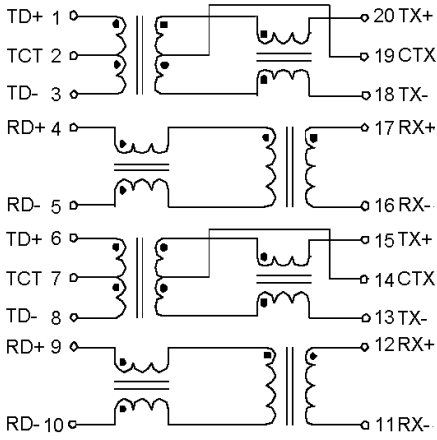


Unit: inch[mm] Tolerance: xx.x0±0.010[0.25] ; 0.xx±0.002[0.05]

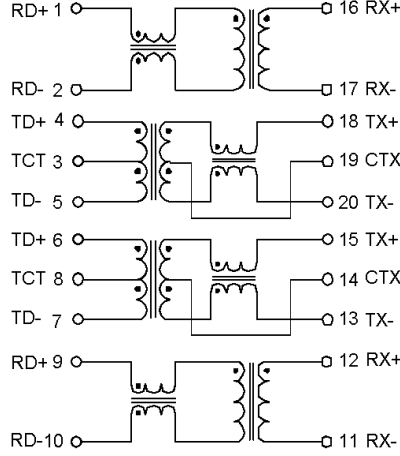
**Schematics**



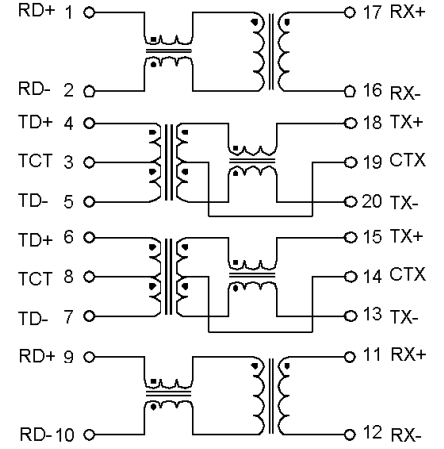
**13F-21**



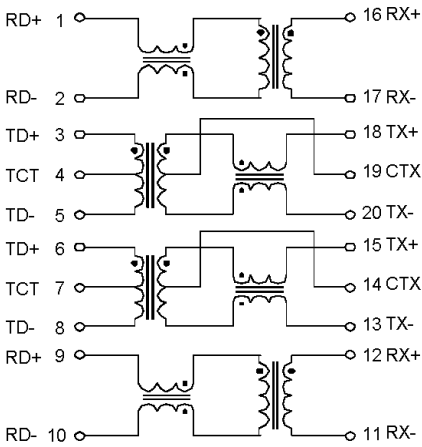
**13F-22**



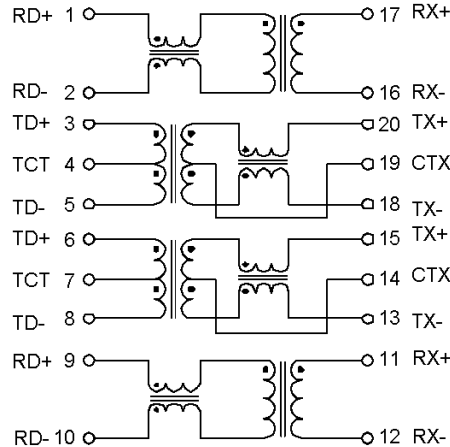
**13F-22A**



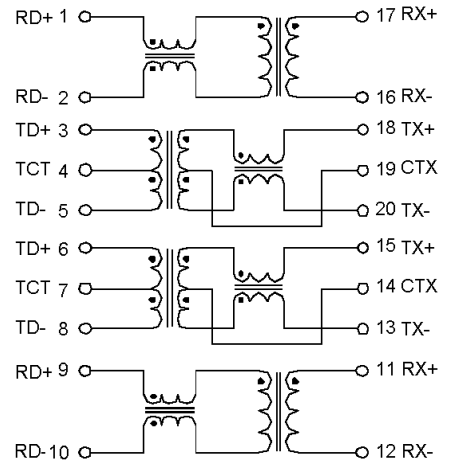
**13F-23**



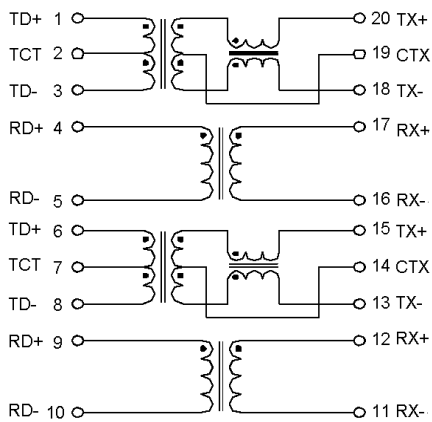
**13F-23A**



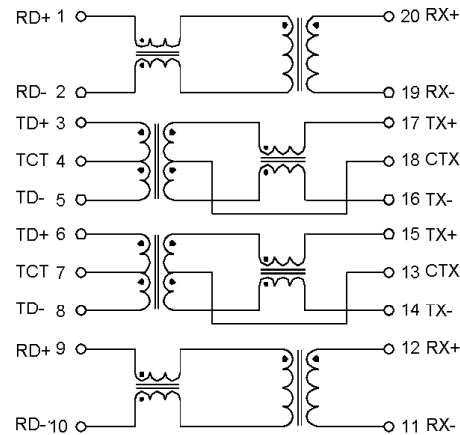
**13F-23B**



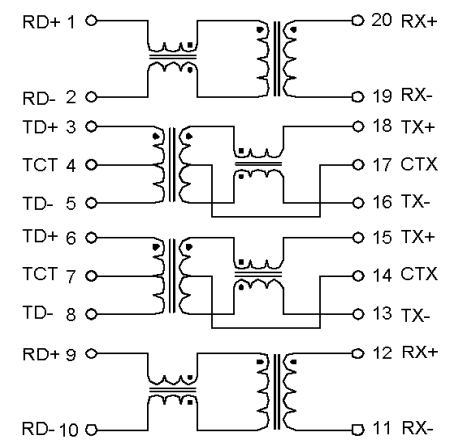
**13F-24**



**13F-25**

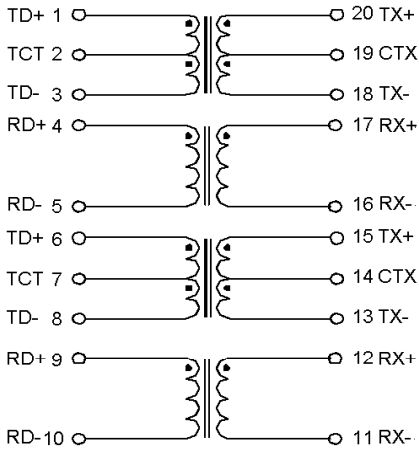


**13F-25A**

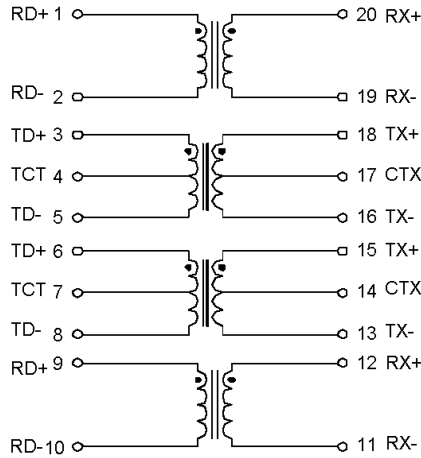




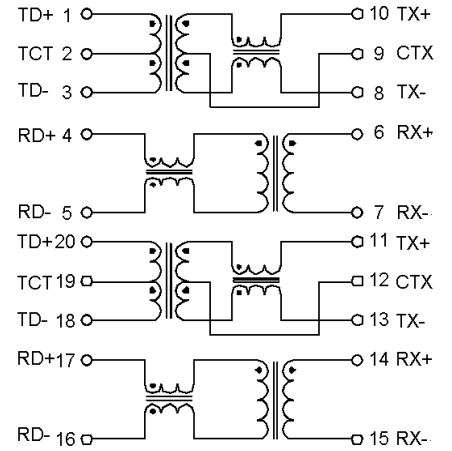
**13F-26**



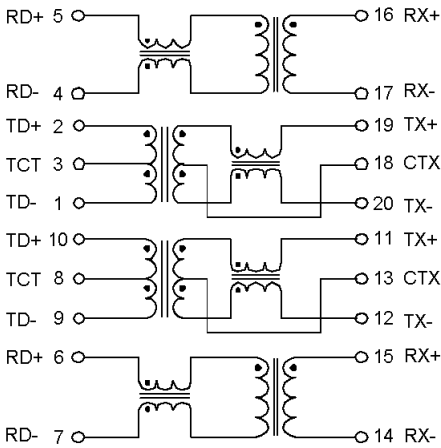
**13F-26A**



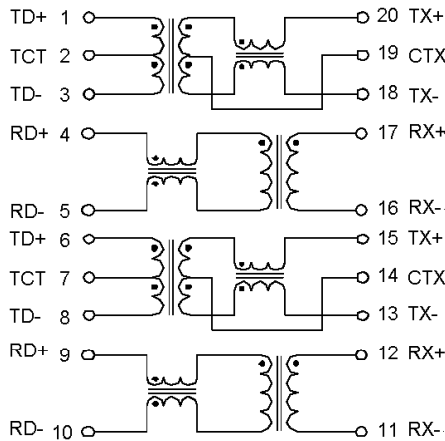
**13F-27**



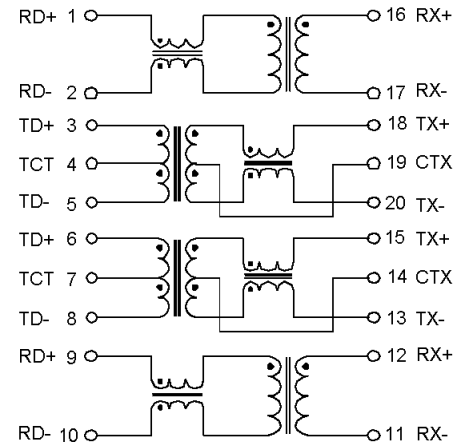
**13F-28**



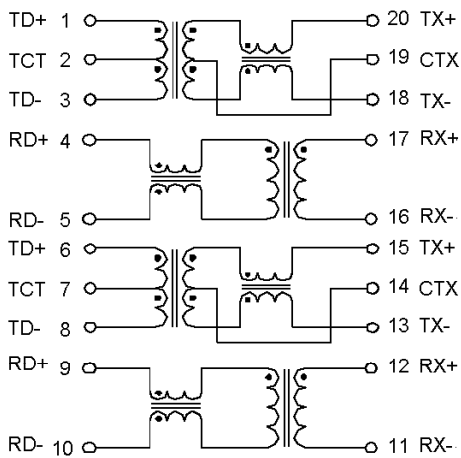
**13F-211**



**13F-231**



**13FS-21**



**13FS-211**

