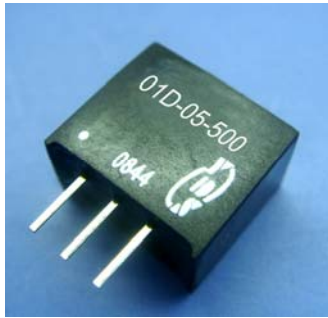


## Non-Isolated Single Output Dc-Dc Converter



### FEATURES:

- 3PIN SIP Package
- Pin-out compatible with LM78XX Linears
- UL94V-0 Package Material
- Operating Temperature: -40°C TO +85°C
- Efficiency up to 97%, Non isolated, no need for heatsinks
- Short circuit protection, Thermal shutdown



Specifications typical at TA=25°C, nominal input voltage and rated output current unless otherwise specified

Part Number	Input Range	Output Voltage	Output Current	Efficiency	
	Vdc	Vdc	mA	Min.Vin(%)	Max.Vin(%)
01D-1R5-500	4.75-30	1.5	500	73	63
01D-1R8-500	4.75-34	1.8	500	82	71
01D-2R5-500	4.75-34	2.5	500	87	77
01D-3R3-500	4.75-34	3.3	500	91	81
01D-05-500	6.5-34	5.0	500	94	86
01D-6R5-500	8.0-34	6.5	500	95	88
01D-09-500	11-34	9.0	500	96	92
01D-12-500	15-34	12	500	97	94
01D-15-500	18-34	15	500	97	95

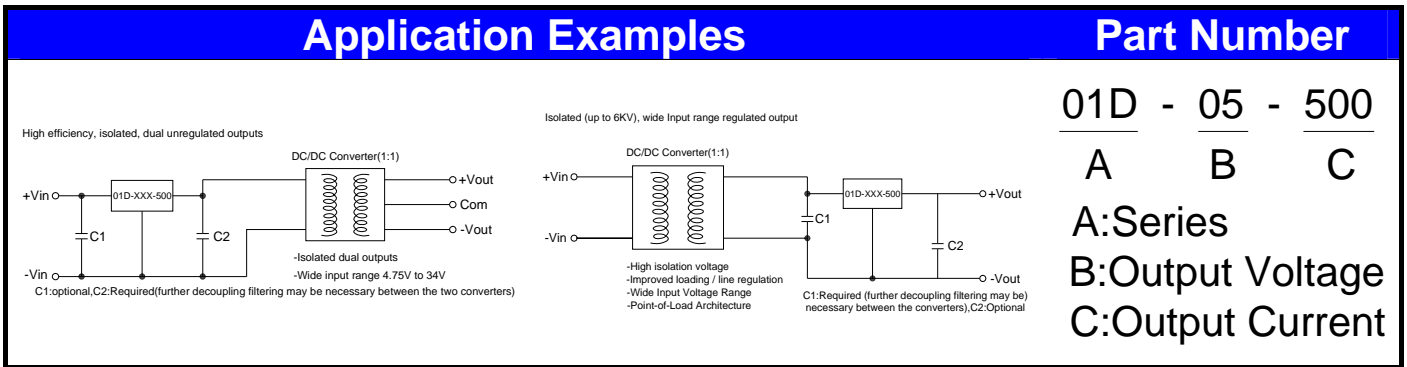
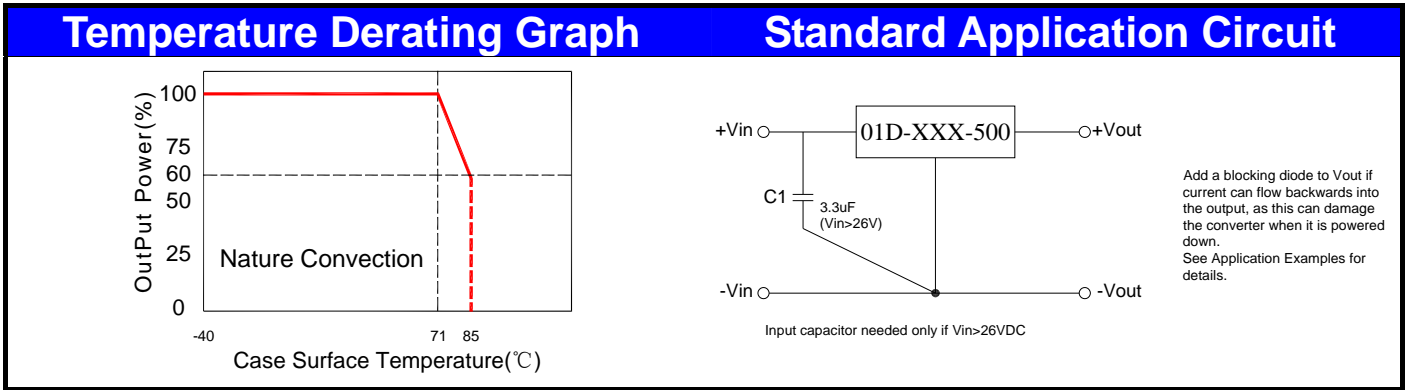
### Output Specifications

Parameters	Conditions	Min	Typ	Max	Units
Voltage Tolerance				±3	%
Short Circuit Protection	Continuous				
Line Regulation	1.5V to 6.5V		0.2	0.4	%
Line Regulation	9V to 15.5V		0.1	0.2	
Load Regulation	1.5V to 6.5V (10% To 100% F.L.)		0.4	0.6	%
Load Regulation	9V to 15.5V (10% To 100% F.L.)		0.25	0.4	%
Ripple & Noise (without Output Capacitor)	1.5V to 6.5V(BW=DC To 20MHz)		20	30	mVp-p
	9V to 15.5V(BW=DC To 20MHz)		30	40	mVp-p
Transient response setting time	50% load step change		350		us

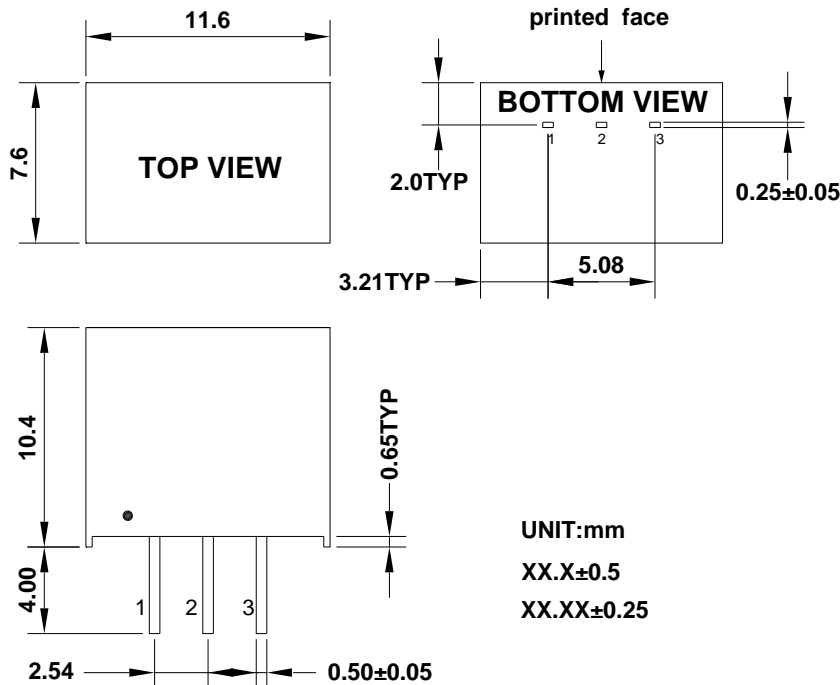
### General Specifications

Parameters	Conditions	Min	Typ	Max	Units
Switching Frequency			330		KHz
Operating Temperature		-40		85	°C
Humidity	Non Condensing			95	%
Cooling	Free air Convection				
Case material	Non-Conductive Black Plastic				
Weight			2.0		g
Dimensions			11.6x7.6x10.4		mm
MTBF(+25°C)	using MIL-HDBK 217F		21098x10 <sup>3</sup>		hours
MTBF(+71°C)	using MIL-HDBK 217F		4212x10 <sup>3</sup>		hours

**Non-Isolated Single Output Dc-Dc Converter**



**Markings and Dimensions**



PIN Connection			
PIN	1	2	3
SINGLE	+Vin	GND	+Vout